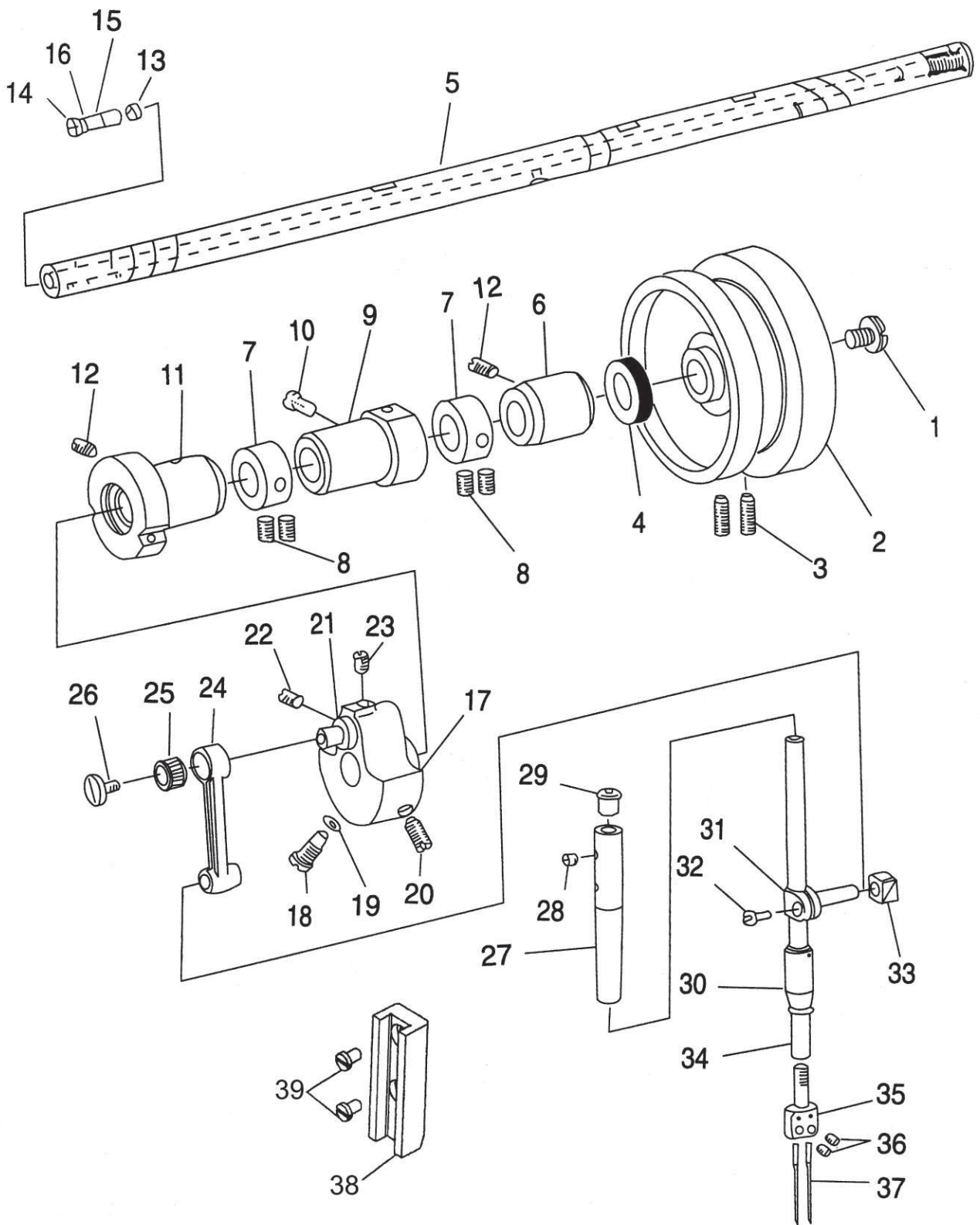


1、机壳分组件 Arm bed components

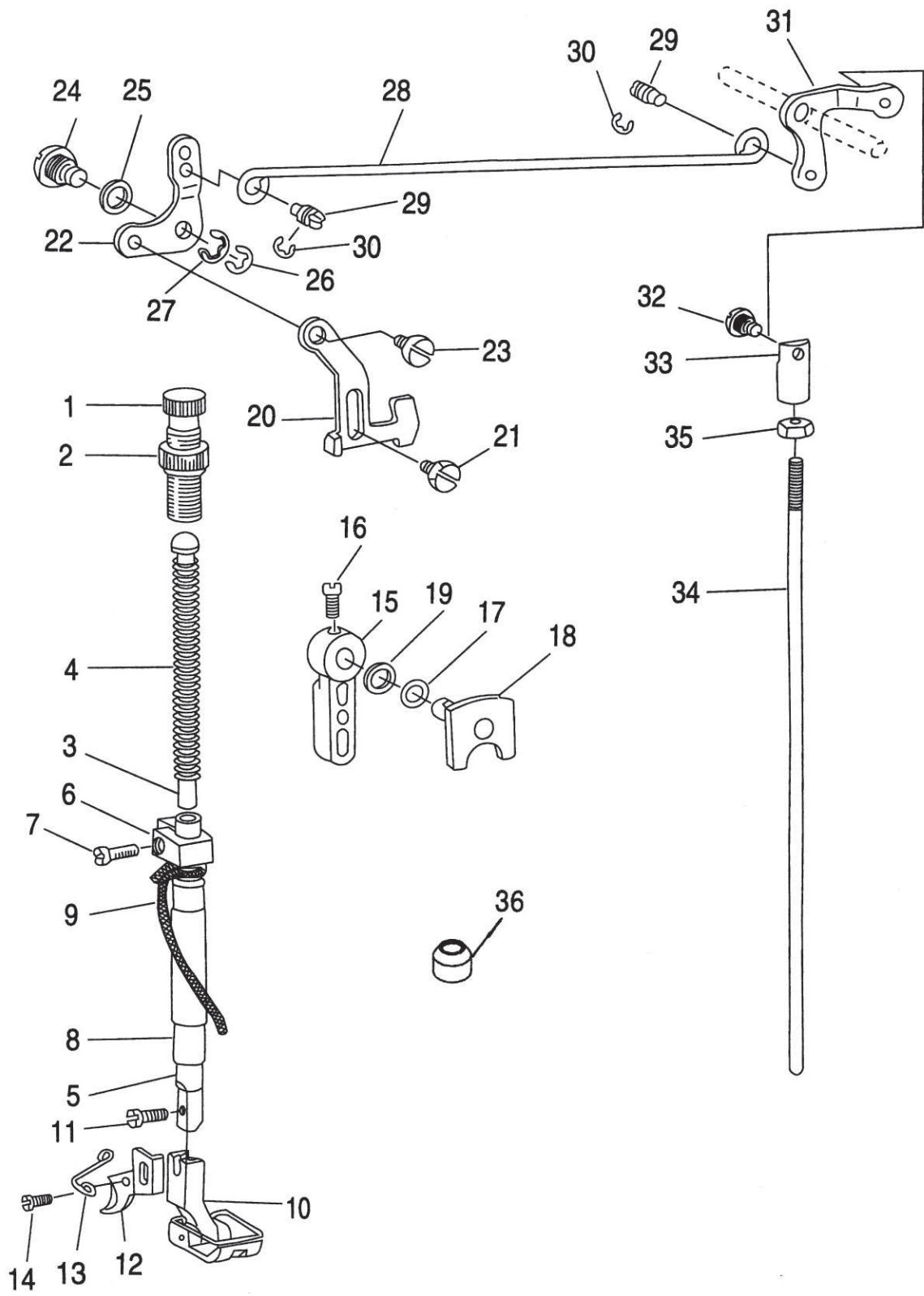
序号 Ref. No.	件号 Part No	名称	Description	数量 Amt. Req.
1	GQ202/13	机壳部件	Arm bed complete	1
2	GS0127	底板支承螺钉	Bed screw stud	2
3	GR1823	底板支承板	Bed support	1
4	GK186	后窗板	Side plate	1
5	GR1812	后窗板垫	Gasket	1
6	GS100	后窗板螺钉	Side plate screw	8
7	GR1757/2	面板部件	Face plate asm.	1
8	GR1758	面板垫	Face plate gasket	1
9	GS100	面板螺钉	Screw	3
10	GR1458	面板调节镙孔塞	Rubber plug	2
11	GR1813	凸轮盖压板	Cam cover latch	1
12	GW287	凸轮盖压板弹簧	Spring	1
13	GR1814	凸轮盖压板弹簧座	Spring suspension	1
14	GS069	凸轮盖压板座螺钉	Screw	1
15	GM241	附件安装板	Attachment installing plate	1
16	GW288	附件安装板弹簧	Spring	1
17	GS0128	附件安装板弹簧螺钉	Screw	2
18	GS012	附件安装板定位螺钉	Screw	1
19	GM242/9	凸轮盖部件	Cam cover asm	(1)
20	GM243	凸轮盖	Cam cover	1
21	GW289	凸轮盖托板	Cam cover	1
22	GW290	凸轮盖弹簧	Spring	1
23	GS045	凸轮盖弹簧螺钉	Screw	4
24	GR1815	凸轮盖导轮	Cam cover guide	1
25	GS0129	凸轮盖导轮螺钉	Screw	1
26	GM244/6	推板部件	Bed slide asm.	(1)
27	GM245	推板	Bed slide	1
28	GW291	推板簧	Spring	1
29	GS045	推板簧螺钉	Screw	2
30	GR1816	推板导轮	Bed slide guide	1
31	GS0129	推板导轮螺钉	Screw	1
32	GW292	推板锁簧	Bed slide lock spring	1
33	GS010	推板锁簧螺钉	Screw	2
34	GR1817	推板簧把手	Latch	1
35	GS44	推板簧把手螺钉	Screw	1
36	GR1818	送料轴底板挡油板	Bed oil shield	1
37	GS010	底板挡油板螺钉	Screw	2
38	GR1819	抬牙轴底板挡板油板	Bed oil shield	1
39	GS010	底板档油板螺钉	Screw	2
40	GR1461	轴套定位镙孔塞	Rubber plug	4
41	GR1462	上轴套油线孔塞	Rubber plug	2
42	GR1463	针杆曲柄镙孔塞	Rubber plug	1
43	GR1464	送料针距调节器孔塞	Rubber plug	1
44	GR1465	抬牙轴孔塞	Rubber plug	1
45	GR1466	下轴盲孔塞	Rubber plug	1
46	GR1916/5	卷边器部件(1/4")	Folder	1
47	GR1923	卷边器垫块	Gasket	1
48	GS0148	卷边器螺钉	Screw	2



2、上轴针杆分组件

Main shaft & needle bar components

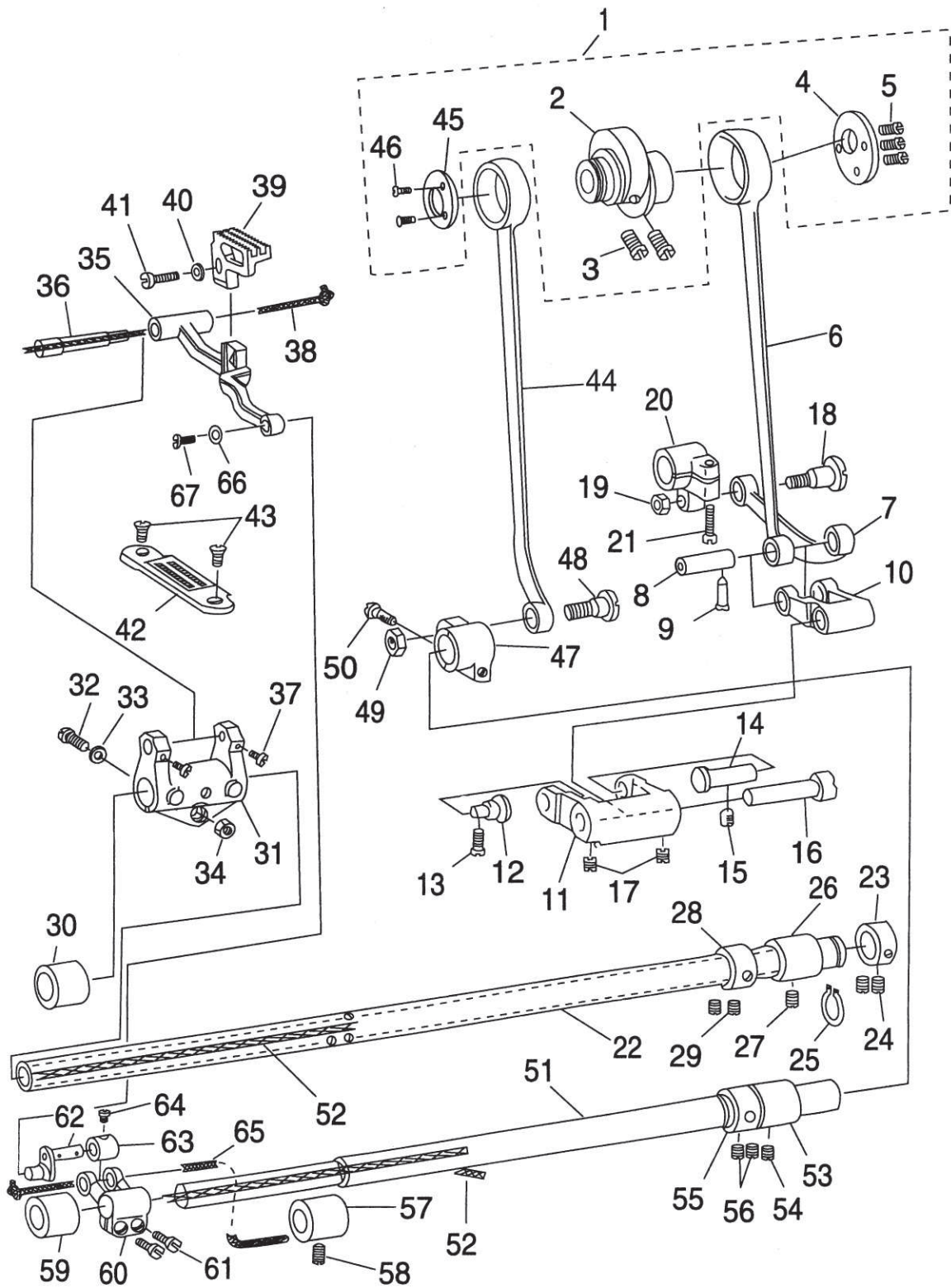
序号 Ref. No.	件号 Part No	名称	Description	数量 Amt. Req.
1	GS02	上轴安全螺钉	End screw	1
2	GP132	上轮	Hand wheel	1
3	GS03	上轮螺钉	Screw	2
4	GR1468/2	上轴油封	Oil seal	1
5	GZ303	上轴	Main shaft	1
6	GO262/2	上轴后轴套部件	Main shaft bushing, rear	1
7	GR1824	上轴挡圈	Main shaft thrust collar	2
8	GS33	上轴挡圈螺钉	Screw	4
9	GO265-1	上轴中轴套部件	Main shaft bushing intermediate	1
10	GS05	中轴套螺钉	Screw	1
11	GO303/2	上轴前轴套部件	Main shaft bushing, front	1
12	GS04	轴套螺钉	Screw	2
13	GR1470	曲柄油量限制毡	Roller felt	1
14	GX334	曲柄油量调节销	Crank oil adjusting pin	1
15	GO269	曲柄油量调节销套	Rubber bushing	1
16	GR1471	曲柄油量调节销O形圈	O-Rubber ring	1
17	GH378	针杆曲柄	Counterweight asm.	1
18	GS06	针杆曲柄定位螺钉	Screw	1
19	GR1472	定位螺钉O形圈	O-Rubber ring	1
20	GS07	针杆曲柄紧固螺钉	Screw	1
21	GH379	针杆连杆销	Needle crank	1
22	GS48	挑线曲柄定位螺钉	Screw	1
23	GS041	挑线曲柄螺钉	Screw	1
24	GH334	针杆连杆	Needle bar crank rod	1
25	GO270	针杆连杆滚针轴承	Needle roller bearing	1
26	GS09	针杆连杆左旋螺钉	Left twist screw	1
27	G0271	针杆上衬套	Needle bar bushing upper	1
28	GS012	针杆上衬套螺钉	Screw	1
29	GR1479	针杆上衬套孔塞	Rubber plug	1
30	GO288	针杆下衬套	Needle bar bushing, lower	1
31	GR1478-7	针杆连接柱	Needle bar connection asm	1
32	GS011	针杆连接柱螺钉	Screw	1
33	GU168-7	针杆连接柱滑块	Crank slide block	1
34	GZ304	针杆	Needle bar	1
35	GR1826	针夹 (1/4")	Needle clamp(1/4")	1
36	GS0130	支针螺钉	Screw	2
37	GV18	机针	Needle	2
38	GR0341-7	针杆接头滑块导轨	Slide block bushing	1
39	GS766	滑块导轨螺钉	Screw	2



3、压料分组件

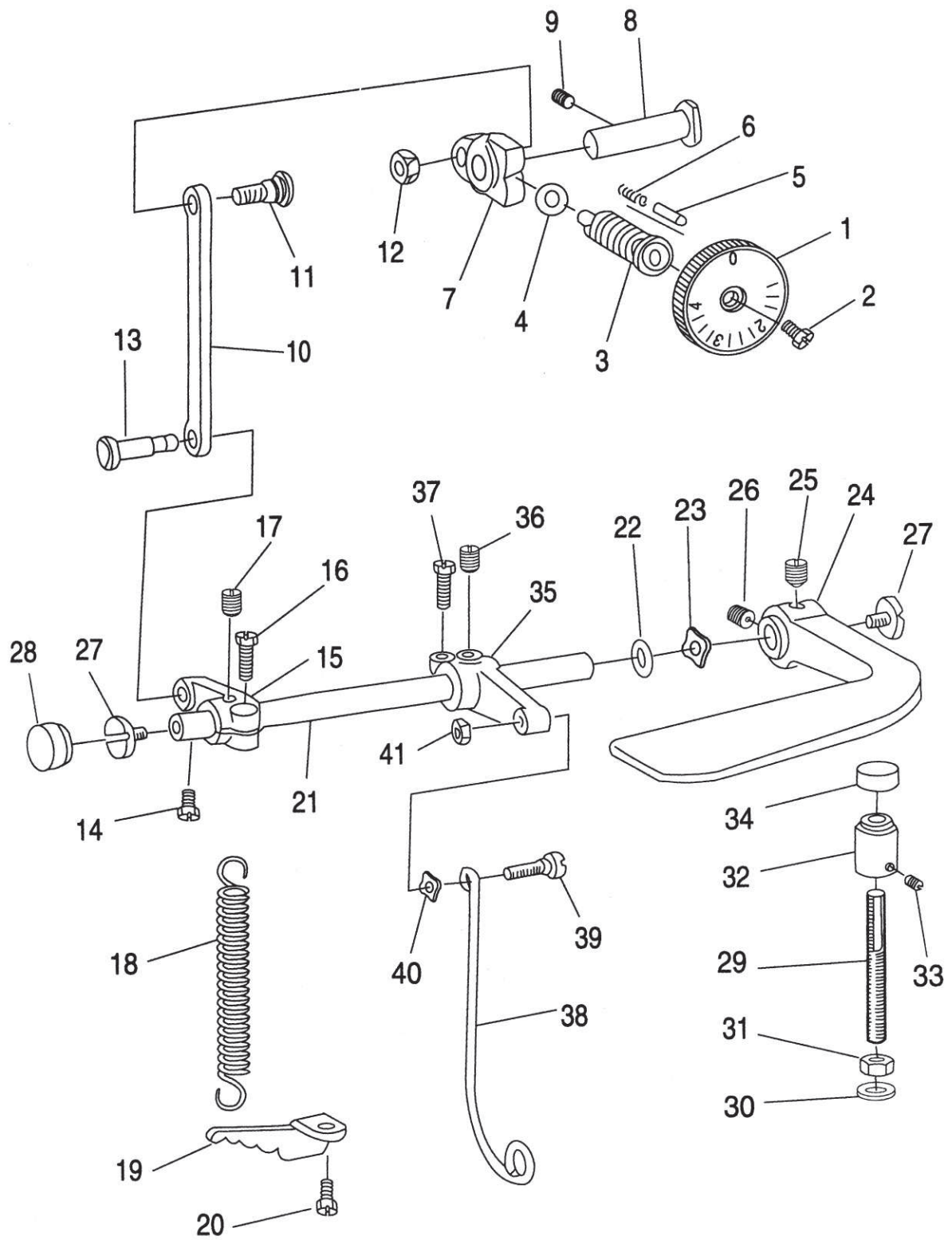
Presser bar components

序号	件号	名称	Description	数量
Ref. No.	Part No			Amt. Req.
1	GS018	调压螺钉	Presser spring regulator	1
2	GL18	调压螺钉螺母	Nut	1
3	GR1494	调压导杆	Presser bar guide bar	1
4	GW253	调压簧	Presser spring	1
5	GZ305	压杆	Presser bar	1
6	GR1827	压杆导架	Presser bar guide bracket asm.	1
7	GS019	压杆导架螺钉	Screw	1
8	GO273	压杆衬套	Presser bar bushing,lower	1
9	GR1525	压杆油线	Oil wick	1
10	GM246/5	压脚部件1/4"	Presser foot asm.	1
11	GS020	压脚螺钉	Screw	1
12	GR1832	切线刀	Thread knife	1
13	GR1833	切线刀导钩	Thead knife guide	1
14	GS0129	切线刀导钩螺钉	Screw	1
15	GR1499	压脚扳手	Hand lifter	1
16	GS021	压脚扳手螺钉	Screw	1
17	GR1500	压脚扳手垫圈	Washer	1
18	GR1501/2	压脚扳手凸轮部件	Hand lifter cam asm.	1
19	GR1503	压脚扳手轴O形圈	Rubber ring	1
20	GR1504	压脚升降板	Lifting lever	1
21	GS022	升降板轴位螺钉	Hinge screw	1
22	GR1505	抬压脚前杠杆	Lifting link for lifting lever	1
23	GS023	前杠杆轴位螺钉	Hing screw	1
24	GS024	前杠杆螺纹销	Hinge pin	1
25	GR1506	前杠杆螺纹销垫圈	Lifting lever gasket	1
26	GR1508	前杠杆特制开口挡圈	Snap ring	1
27	GR1507	前杠杆开口挡圈	Snap ring	1
28	GR1834	抬压脚拉杆	Lifting lever connecting rod	1
29	GS025	抬压脚拉杆螺钉	Screw	2
30	GR1510	抬压脚拉杆开口挡圈	Snap ring	2
31	GR1835	抬压脚后杠杆	Lifting lever link rear	1
32	GS0131	后杠杆轴位螺钉	Hinge screw	1
33	GR1836	抬压脚顶杆接头	Swivel	1
34	GX378	抬压脚顶杆	Lifting lever connecting rod,vertical	1
35	GL19	抬压脚顶杆螺钉	Nut	1
36	GR1353-7	压杆密封套	Rubber rule	1



4、送料分组件 Feed mechanism components

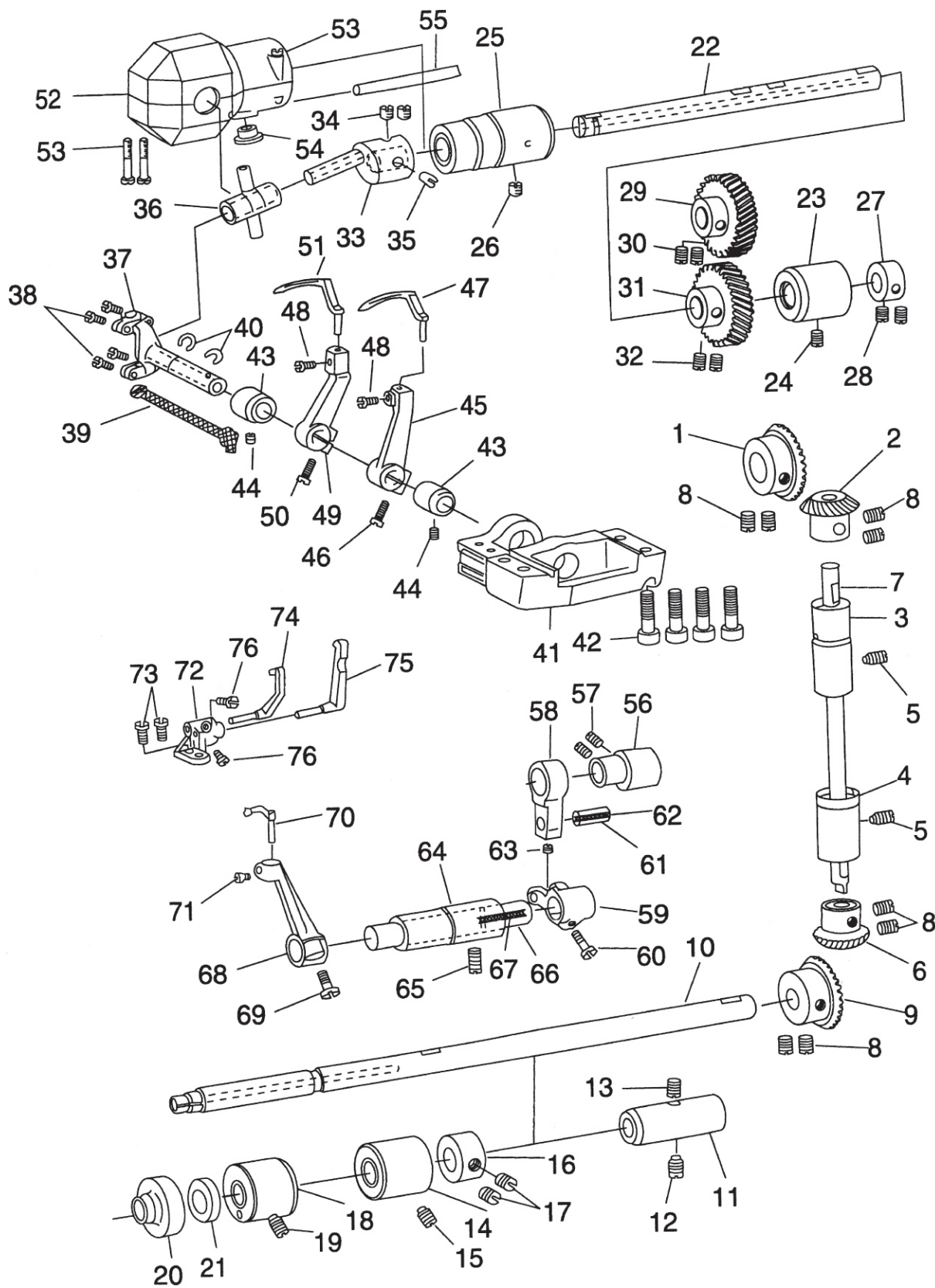
序号 Ref. No.	件号 Part No	名称	Description	数量 Amt. Req.
1	GT160/10	送料偏心轮部件	Feed eccentric cam asm.	1
2	GT161	送料偏心轮	Feed eccentric cam	1
3	GS034	送料偏心轮螺钉	Screw	2
4	GR1521	送料偏心轮盖板	Feed eccentric thrust washer	1
5	GS035	偏心轮盖板螺钉	Screw	3
6	GH335	送料大连杆	Feed rocker shaft connecting rod	1
7	GH380	送料小连杆	Connecting rod	1
8	GX340	送料连杆销	Connecting pin	1
9	GS036	送料连杆销螺钉	Screw	1
10	GR1522	送料摆杆	Feed driving rocker asm.	1
11	GR1523	送料摆杆座	Feed driving rocker	1
12	GX341	送料摆杆座右销	Hinge stud	1
13	GS037	送料摆杆座右销螺钉	Screw	1
14	GX342	送料摆杆座右销	Hinge pin	1
15	GS05	送料摆杆座右销螺钉	Screw	1
16	GZ279	送料摆杆销	Hinge pin	1
17	GS038	送料摆杆销螺钉	Screw	2
18	GS039	送料曲柄轴位螺钉	Hinge screw	1
19	GL7	送料曲柄轴位螺母	Nut	1
20	GH337	送料曲柄	Feed rocker shaft crank	1
21	GS040	送料曲柄螺钉	Screw	1
22	GZ280	送料轴	Feed rocket shaft	1
23	GR1890	送料轴薄挡圈	Thrust collar	1
24	GS032	送料轴薄挡圈螺钉	Screw	2
25	GR1524	送料轴轴用挡圈	Retaining ring	1
26	GO285	送料轴后轴套	Bushing rear	1
27	GS41	送料轴后轴套螺钉	Screw	1
28	GR1469	送料轴挡圈	Thrust collar	1
29	GS39	送料轴挡圈螺钉	Screw	2
30	GO286	送料轴前轴套	Feed rocker shaft bushing,front	1
31	GR1838	牙架座	Feed rocker	1
32	GS0120	牙架座螺钉	Screw	1
33	GR1528	牙架座螺钉垫圈	Washer	1
34	GL20	牙架座螺钉螺母	Nut	1
35	GR1839	牙架	Feed bar	1
36	GX396	牙架销	Feed bar shaft	1
37	GS0100	牙架销螺钉	Screw	2
38	GR1837	牙架销油线	Oil wick	1
39	GM247	送料牙1/4"	Reed dog (1/4)	1
40	GR1528	送料牙垫圈	Washer	1
41	GS019	送料牙螺钉	Screw	1
42	SM248	针板1/4"	Throat plate(1/4)	1
43	GS044	针板螺钉	Screw	2
44	GH381	抬牙连杆	Feed driving shaft connecting rod	1
45	GR1840	抬牙连杆凸轮盖	Feed driving eccentric thrust washer	1
46	GS0115	抬牙连杆凸轮盖螺钉	Screw	2
47	GH397	抬牙后曲柄	Feed driving shaft crank rear	1
48	GS039	抬牙连杆轴位螺钉	Hinge screw	1
49	GL7	抬牙连杆轴位螺母	Nut	1
50	GS040	抬牙后曲柄紧固螺钉	Screw	1
51	GZ306	抬牙轴	Feed driving shaft	1
52	GR1837	抬牙轴油线	Oil wick	2
53	GO285	抬牙轴后轴套	Bushing, rear	1
54	GS48	抬牙轴后轴套螺钉	Screw	1
55	GR1469	抬牙轴后轴套挡板	Thrust collar	1
56	GS39	后轴套挡圈螺钉	Screw	2
57	GO300	抬牙轴中轴套	Bushing, intermediate	1
58	GS04	抬牙轴中轴套螺钉	Screw	1
59	GO306	抬牙轴前轴套	Feed rocker shaft bushing, front	1
60	GH382	抬牙轴前曲柄	Feed rocker shaft crank	1
61	GS0132	抬牙轴前曲柄螺钉	Screw	2
62	GH383	牙架连杆	Feed bar link	1
63	GR1841	牙架连杆挡圈	Thrust collar	1
64	CS013	牙架连杆挡圈螺钉	Screw	1
65	GR1837	牙架连杆油线	Oil wick	1
66	GR1842	牙架连杆锥孔垫圈	Counter-sunk washer	1
67	GS0133	牙架连杆垫圈螺钉	Screw	1



5、送料调节分组件

Feed regulating components

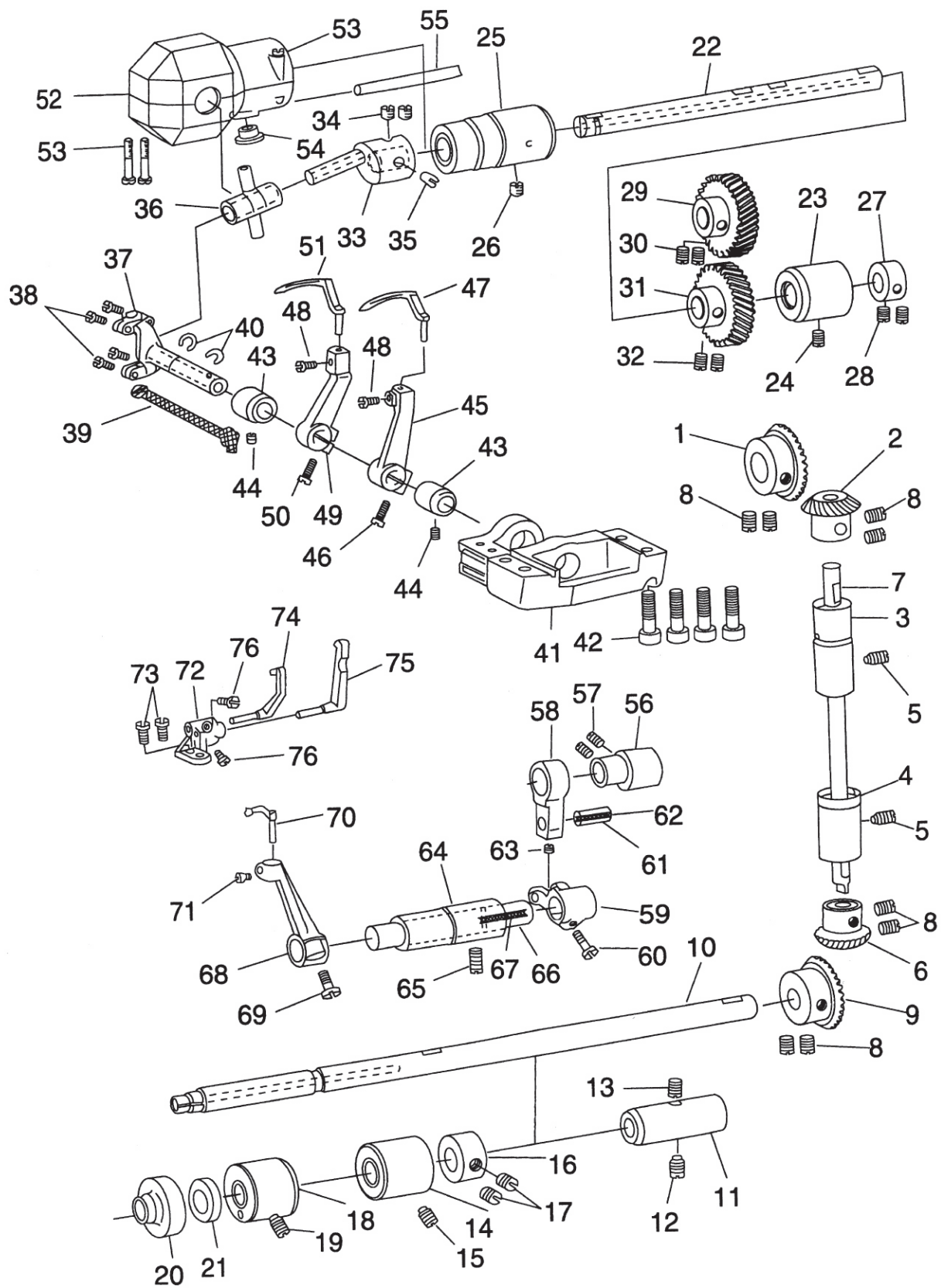
序号 Ref. No.	件号 Part No	名称	Description	数量 Amt. Req.
1	GS1536/3	送料距旋钮部件	Stitch dial asm.	1
2	GS046	送料距旋钮螺钉	Screw	1
3	GS047	送料调节螺柱	Feed regulating screw	1
4	GR1538	送料调节螺柱O形圈	O-Rubber ring	1
5	GX345	送料距锁合销	Stitch dial lock pin	1
6	GW257	送料距锁合销簧	Stitch dial lock spring	1
7	GR1843	送料调节器	Feed regulator	1
8	GX346	送料调节器销	Hinge pin	1
9	GS48	送料调节器销螺钉	Screw	1
10	GH341	送料调节器连杆	Feed regulator connecting rod	1
11	GS048	调节器连杆轴位螺钉	Hingr screw	1
12	GL20	调节器连杆轴位螺母	Nut	1
13	GR1540	拉簧调节曲柄销	Tension spring suspension stud	1
14	GS100	拉簧调节曲柄销螺钉	Screw	1
15	GH342	拉簧调节曲柄	Tension spring suspension crank	1
16	GS049	调节曲柄紧固螺钉	Clamp screw	1
17	GS48	调节曲柄定位螺钉	Screw	1
18	GW258	倒送料轴拉簧	Tension spring	1
19	GR1547	拉簧固定板	Suspension bracket	1
20	GS01	拉簧固定板螺钉	Screw	1
21	GZ282	倒送料轴	Reverse feed control lever shaft	1
22	GR1542	倒送料轴O形圈	Rubber ring,large	1
23	GS1543	倒送料轴弹性垫圈	Waved washer	1
24	GR1544	倒送料扳手	Reverse feed control lever	1
25	GS050	倒送料扳手定位螺钉	Screw	1
26	GS033	倒送料扳手螺钉	Screw	1
27	GS051	倒送料轴端螺钉	End screw	2
28	GR1545	倒送料轴端孔塞	Rubber plug	1
29	GS0134	倒送料挡块螺杆	Screw	1
30	GR1599	档块螺杆垫圈	Washer	1
31	GL21	挡块螺杆螺母	Nut	1
32	GR1844	倒送料挡块	Lever stopper	1
33	GS0135	倒送料挡块螺钉	Screw	1
34	GR1845	倒送料挡块橡胶垫	Rubber cushion	1
35	GH344	倒送料曲柄	Control lever crank,rear	1
36	GS48	倒送料曲柄定位螺钉	Screw	1
37	GS049	倒送料曲柄螺钉	Screw	1
38	GH345	倒送料连杆	Feed driving rocker arm connecting	1
39	GS052	倒送料连杆轴位螺钉	Screw	1
40	GR1546	倒送料连杆轴位垫圈	Washer	1
41	GL20	倒送料连杆轴位螺母	Nut	1



6、弯针勾线分组件

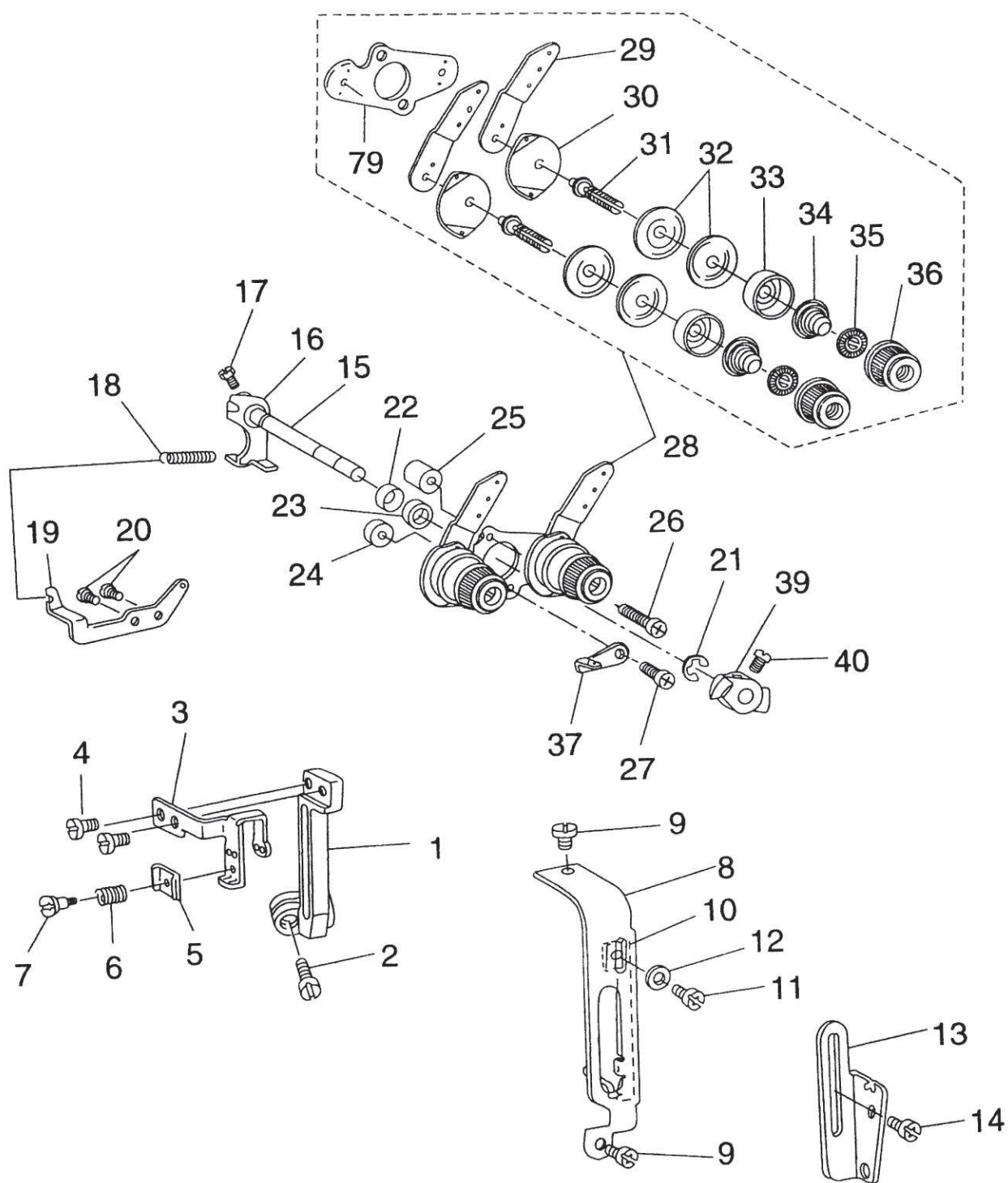
Looper thread retainer components

序号 Ref. No.	件号 Part No	名称	Description	数量 Amt. Req.
1	GC168	上轴伞齿轮	Gear asm.	1
2	GC167	竖轴上伞齿轮	Pinion asm.	1
3	GO283	竖轴上轴套	Bushing,upper	1
4	GO280/2	竖轴下轴套部件	Bushing,lower	1
5	GS04	竖轴轴套螺钉	Screw	2
6	GC167	竖轴下伞齿轮	Gear asm.	1
7	GZ307-1	竖轴	Upright, shaft	1
8	GS033	伞齿轮螺钉	Bushing, front asm,screw	8
9	GC169	下轴伞齿轮	Gear asm	1
10	GZ308	下轴	Lower shaft asm.	1
11	GO307	下轴后轴套	Bushing, rear	1
12	GS04	下轴后轴套螺钉	Screw	1
13	GR1847	下轴后轴套油毡	Felt	1
14	GO308/2	下轴中轴套部件	Bushing,intermediate	1
15	GS04	下轴中轴套螺钉	Screw	1
16	GR1848	下轴挡圈	Thrust collar asm	1
17	GS033	下轴挡圈螺钉	Screw	2
18	GO311/2	下轴轴套部件	Bushing,front	1
19	GS04	下轴轴套螺钉	Screw	1
20	GR1849	下轴前轴套油封套	Looper thread guard bushing	1
21	GR1850	下轴前轴套油封	Oil seal	1
22	GZ309	弯针轴	Looper rocker shaft	1
23	GO308/2	弯针轴后轴套部件	Bushing,intermediate	1
24	GS04	弯针后轴套螺钉	Screw	1
25	GO314/2	弯针轴前轴套部件	Bushing,front	1
26	GS48	弯针轴前轴套螺钉	Screw	1
27	GR1848	弯针轴挡圈	Thrust collar asm	1
28	GS033	弯针轴挡圈螺钉	Screw	2
29	GC170	主动弯针齿轮	Gear asm.upper	1
30	GS033	主动弯针齿轮螺钉	Screw	2
31	GC171	被动弯针齿轮	Gear asm.lower	1
32	GS033	被动弯针齿轮螺钉	Screw	2
33	GH384	弯针曲柄	Looper crank asm.	1
34	GS033	弯针曲柄螺钉	Screw	2
35	GS0136	弯针曲柄调节螺钉	Looper crank adjusting screw	1
36	GR1851/5	弯针十字接头部件	Trunnion asm.	1
37	GZ310/3	弯针摆轴部件	Looper rocker shaft asm	1
38	GS0100	弯针摆轴盖螺钉	Screw	4



6、弯针勾线分组件 Looper thread retainer components

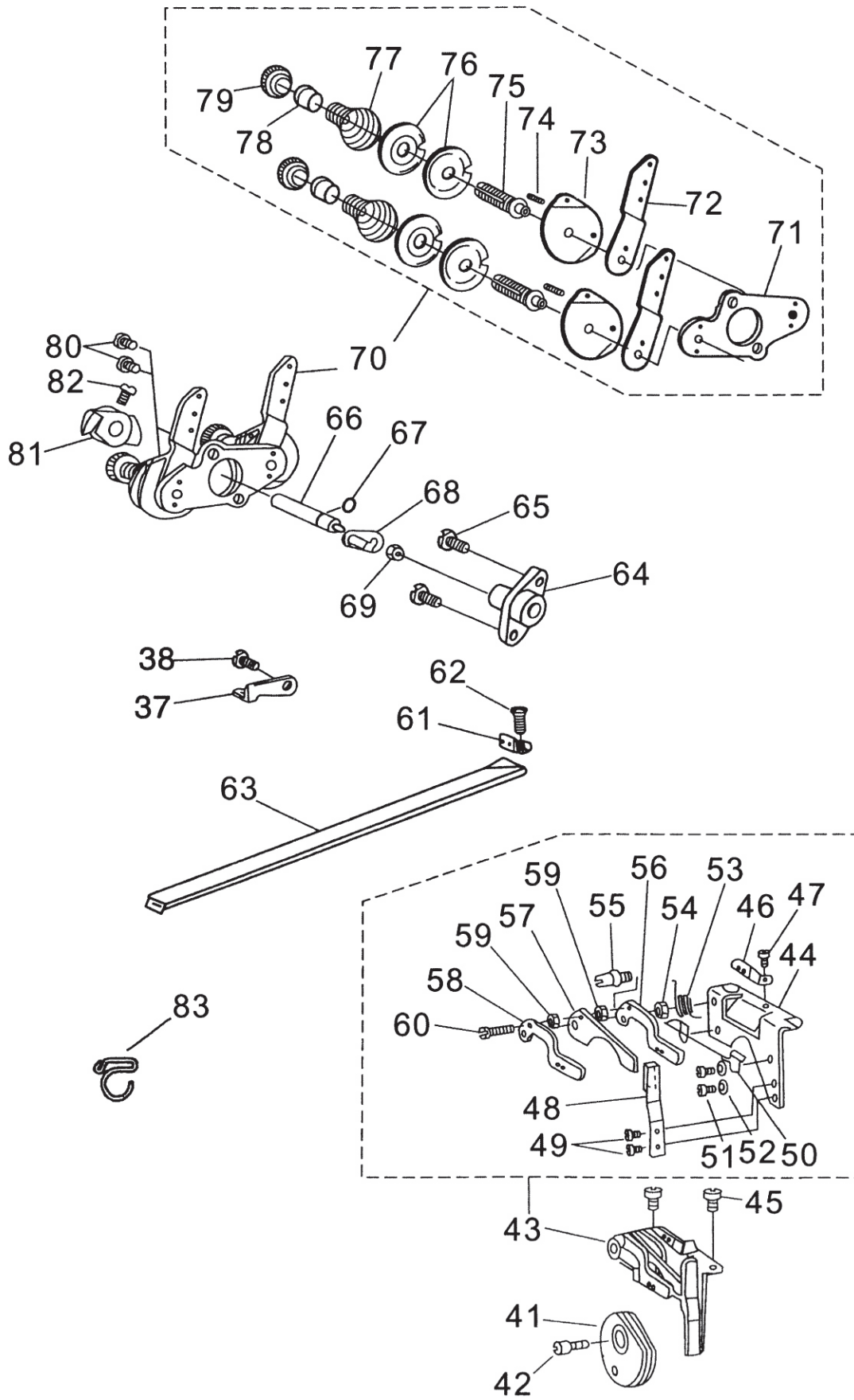
序号 Ref. No.	件号 Part No	名称	Description	数量 Amt. Req.
39	GR1837	弯针摆轴油线	Oil wick	1
40	GR1854	弯针摆轴挡圈	Snap ring	2
41	GR1855	弯针架座	Looper mounting base	1
42	GS0137	弯针架座螺钉	Screw	4
43	GO318	弯针摆轴轴套	Bushing,rear	2
44	GS032	弯针摆轴轴套螺钉	Screw	2
45	GH385	左弯针曲柄	Looper holder asm.(left)	1
46	GS040	左弯针曲柄螺钉	Screw	1
47	GN169	左弯针	Looper (left)	1
48	GS0138	弯针螺钉	Screw	2
49	GH386	右弯针曲柄	Looper holder asm. (right)	1
50	GS040	右弯针曲柄螺钉	Screw	1
51	GN170	右弯针	Looper (right)	1
52	GK187/7	弯针曲柄罩壳部件	Crank cover asm	1
53	GS0139	曲柄罩壳螺钉	Screw	3
54	GR1462	曲柄罩壳孔塞	Rubber plug	1
55	GR1856	曲柄罩壳排油管	Vinyl tube	1
56	GT162	护针凸轮	Needle guard crank asm	1
57	GS48	护针凸轮螺钉	Screw	2
58	GH387	护针连杆	Needle guard crank rod	1
59	GH388	护针叉形曲柄	Rear needle guard rocker fork	1
60	GS019	护针叉形曲柄螺钉	Screw	1
61	GX380	护针曲柄销	Pin	1
62	GR1837	护针曲柄销油线	Oil wick	1
63	GS032	护针曲柄销螺钉	Screw	1
64	GO319	护针轴套	Bushing	1
65	GS48	护针轴套螺钉	Screw	1
66	GZ312	护针轴	Needle guard driving shaft asm	1
67	GR1837	护针轴油线	Oil wick	1
68	GH389	护针曲柄	Rear needle guard rocker arm asm.	1
59	GS040	护针曲柄螺钉	Screw	1
70	GR1857	摆动护针(1/4")	Driving needle guard(1/4")	1
71	GS0100	摆动护针杆螺钉	Screw	1
72	GR1858	护针杆座	Needle guard base	1
73	GS030	护针杆座螺钉	Screw	2
74	GR1859	左固定护针杆	Counter needle guard,left	1
75	GR1860	右固定护针杆	Counter needle guard,right	1
76	GS011	左右固定护针杆螺钉	Screw	2



7、挑线、松线、夹线分组件

Thread take-up, tension, and tension releasing assembly complete

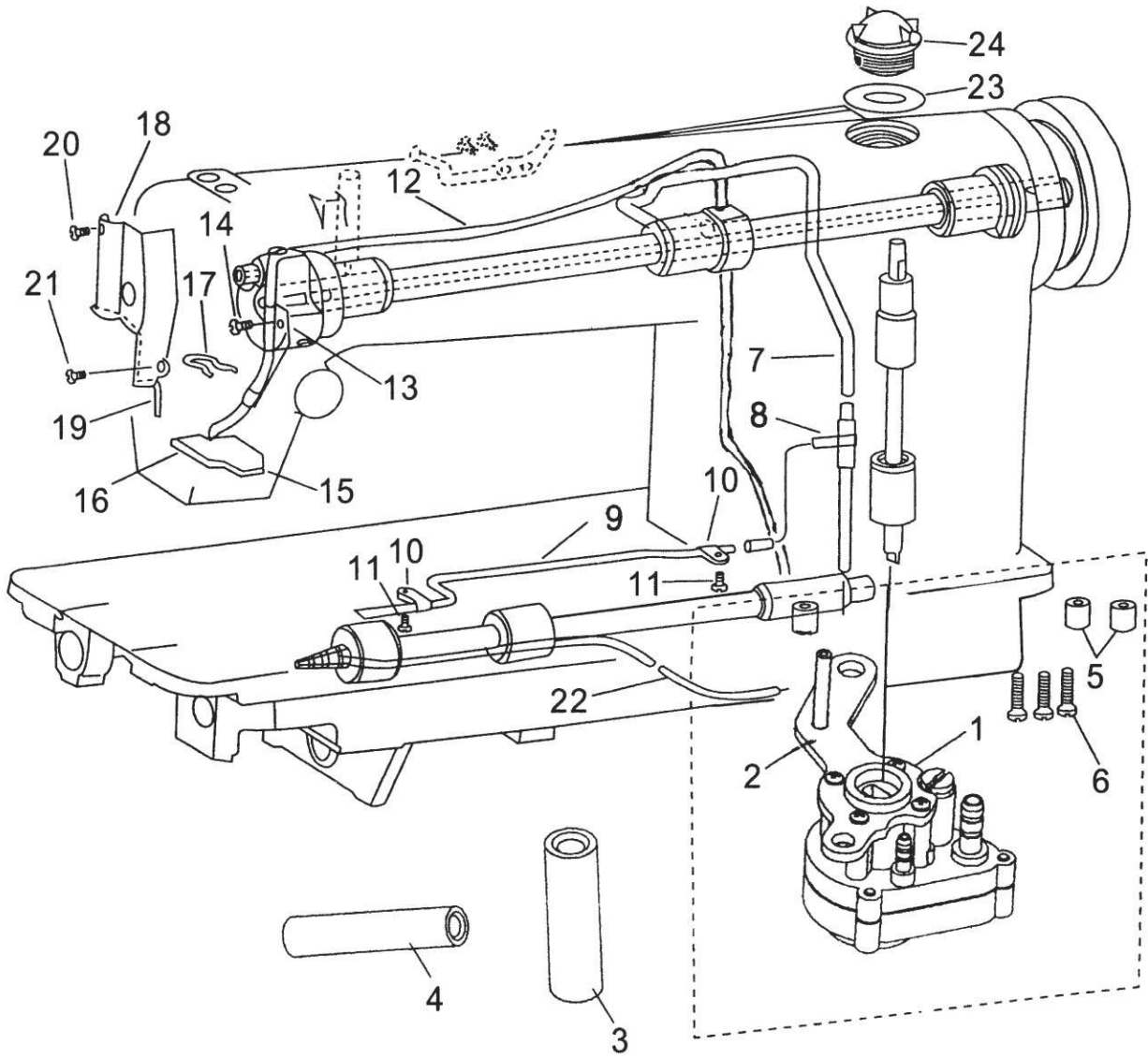
序号 Ref. No.	件号 Part No	名称	Description	数量 Amt. Req.
1	GH390	挑线连杆	Thread take-up lever	1
2	GS0140	挑线连杆螺钉	Screw	1
3	GH392	挑线杆	Thread take-up	1
4	GS011	挑线杆紧固螺钉	Screw	2
5	GR1861	挑线杆夹线板	Tension plate	1
6	GW294	挑线杆夹线簧	Tension spring	1
7	GS0141	挑线杆夹线板轴螺钉	Screw	1
8	GK190	挑线杆护罩	Thread take-up lever guard	1
9	GS010	挑线杆护罩螺钉	Screw	2
10	GR1862	线量调节板	Take-up thread tension lever	1
11	GS010	线量调节板螺钉	Screw	1
12	GR1528	调节板螺钉垫圈	Washer	1
13	GR1863	中间导线钩	Frame thread eyelet	1
14	GS010	中间导线钩螺钉	Screw	1
15	GZ313	松线轴	Tension release shaft	1
16	GH393/2	面线松线曲柄部件	Tension release arm asm.	1
17	GS082	面线松线曲柄螺钉	Screw	1
18	GW295	抬压脚后杠杆弹簧	Spring	1
19	GR1865	后杠杆弹簧固定板	Suspension bracket	1
20	GS81	后杠杆弹簧固定板螺钉	Screw	2
21	GR1507	松线轴挡圈	Snap ring	1
22	GR1866	松线轴油封	Oil seal ring	1
23	GR1867	松线轴环	Tension release shaft spacer	1
24	GR1868	夹线器下安装垫	Spacer(A) for installing plate	1
25	GR1869	夹线器上安装垫	Spacer(B) for installing plate	1
26	GS0142	夹线器上安装垫螺钉	Screw	1
27	GS079	夹线器下安装垫螺钉	Screw	1
28	GR1870/19	面线夹线器部件	Needle thread tension asm.	(1)
29	GR1871	面线单面导线板	Needle thread tension guide plate	2
30	GR1872	面线双面导线板	Tension thread guide	2
31	GS0143	夹线螺钉	Looper thread tension post	2
32	GR1488	面线夹线板	Tension disc	4
33	GR1873	面线松线座	Tension disc presser tube	2
34	GW251	面线夹线簧	Tension spring	2
35	GR1490	面线止动板	Tension disc stopper	2
36	GL34/2	面线夹线螺母部件	Tension nut	2
37	GR1875	导线钩	Frame thread guide	2
38	GS010	导线钩螺钉	Screw	1
39	GR1876	面线松线爪	Tension release latch	1
40	GS082	面线松线爪螺钉	Screw	1



7、挑线、松线、夹线分组件

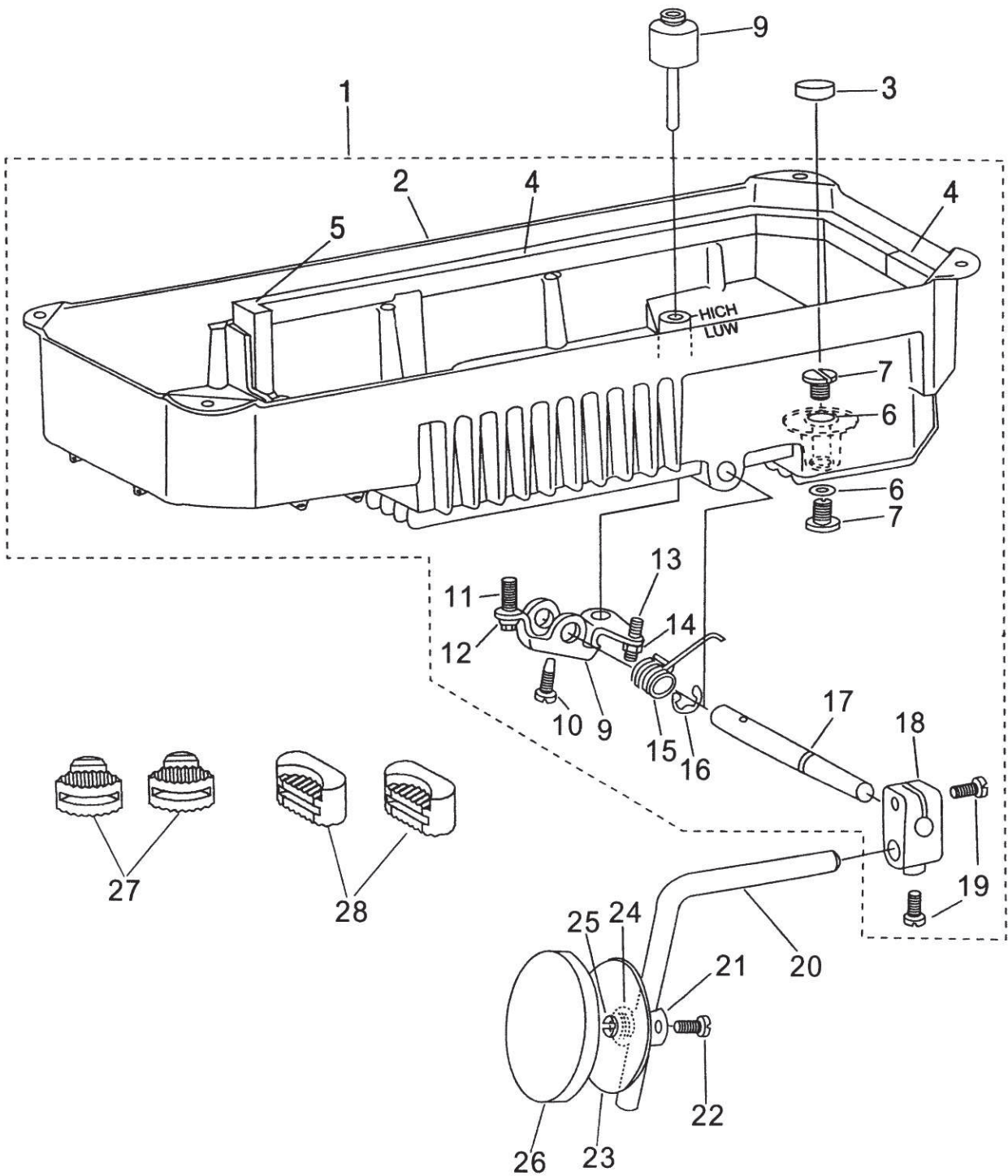
Thread take-up, tension, and tension releasing assembly complete

序号 Ref. No.	件号 Part No	名称	Description	数量 Amt. Req.
41	GR1877	底线打线凸轮	Looper thread take-up cam	1
42	GS0144	底线打线凸轮定位螺钉	Screw	1
43	GR1878/20	凸轮导线钩部件	Looper thread guide asm.	1
44	GR1879	凸轮导线架	Thread guide plate	1
45	GS010	凸轮导线架螺钉	Screw	2
46	GR1880	底线双线导线钩	Looper thread guide	1
47	GR069	底线双线导线钩螺钉	Screw	1
48	GW296	底线导线止动簧	Thread guide stopper spring	1
49	GS069	底线导线止动簧螺钉	Screw	2
50	GR1881	底线脱线钢丝	Cast-off wire	1
51	GS44	底线脱线钢丝螺钉	Screw	2
52	GR1882	底线脱线钢丝螺钉垫圈	Washer	2
53	GW297	底线导线簧	Thread guide spring	1
54	GL31	凸轮过线螺钉螺母	Nut	1
55	GS0145	凸轮过线螺钉	Thread guide stud	1
56	GR1883	凸轮导线钩 (右)	Looper thread guide, right	1
57	GR1884	凸轮脱线爪	Cast-off plate	1
58	GR1885	凸轮导线钩 (左)	Looper thread guide, left	1
59	GR1886	凸轮导线环	Collar	2
60	GS065	凸轮导线钩螺钉	Screw	1
61	GR1887	底线导线钩	Looper thread guide	1
62	GS0146	底线导线钩螺钉	Screw	1
63	GR1888	底线导线管	Looper thread guide tube	1
64	GR1889	松线轴套	Tension release shaft bushing	1
65	GS0123	松线轴套螺钉	Screw	2
66	GZ314	底线松线轴	Looper thread release shaft	1
67	GR1800	底线松线轴O型圈	Rubber ring	1
68	GH395/2	底线松线轴曲柄部件	Tension release arm asm.	1
69	GL31	底线松线轴螺母	Nut	1
70	GR1891/19	底线夹线器部件	Lower thread tension asm.	(1)
71	GR1892	夹线器安装板	Tension installing plate	2
72	GR1893	底线单面导线板	Looper thread tension control plate	2
73	GR1894	底线双面导线板	Thread guide	2
74	GX382	底线夹线板止转销	Spring pin	2
75	GS0143	夹线螺钉	Looper thread tension post	2
76	GR1895	底线夹线板	Tension disc	4
77	GW298	底线夹线簧	Looper thread tension spring	2
78	GR1896	底线夹线止转圈	Tension spring bushing	2
79	GL36	底线夹线螺母	Tension post nut	2
80	GS010	夹线器安装板螺钉	Screw	2
81	GR1897	底线松线爪	Looper thread release latch	1
82	GS082	底线松线爪螺钉	Screw	1
83	GS2021	小线钩	Small thread gauge	1



8、润滑分组件 Lubrication

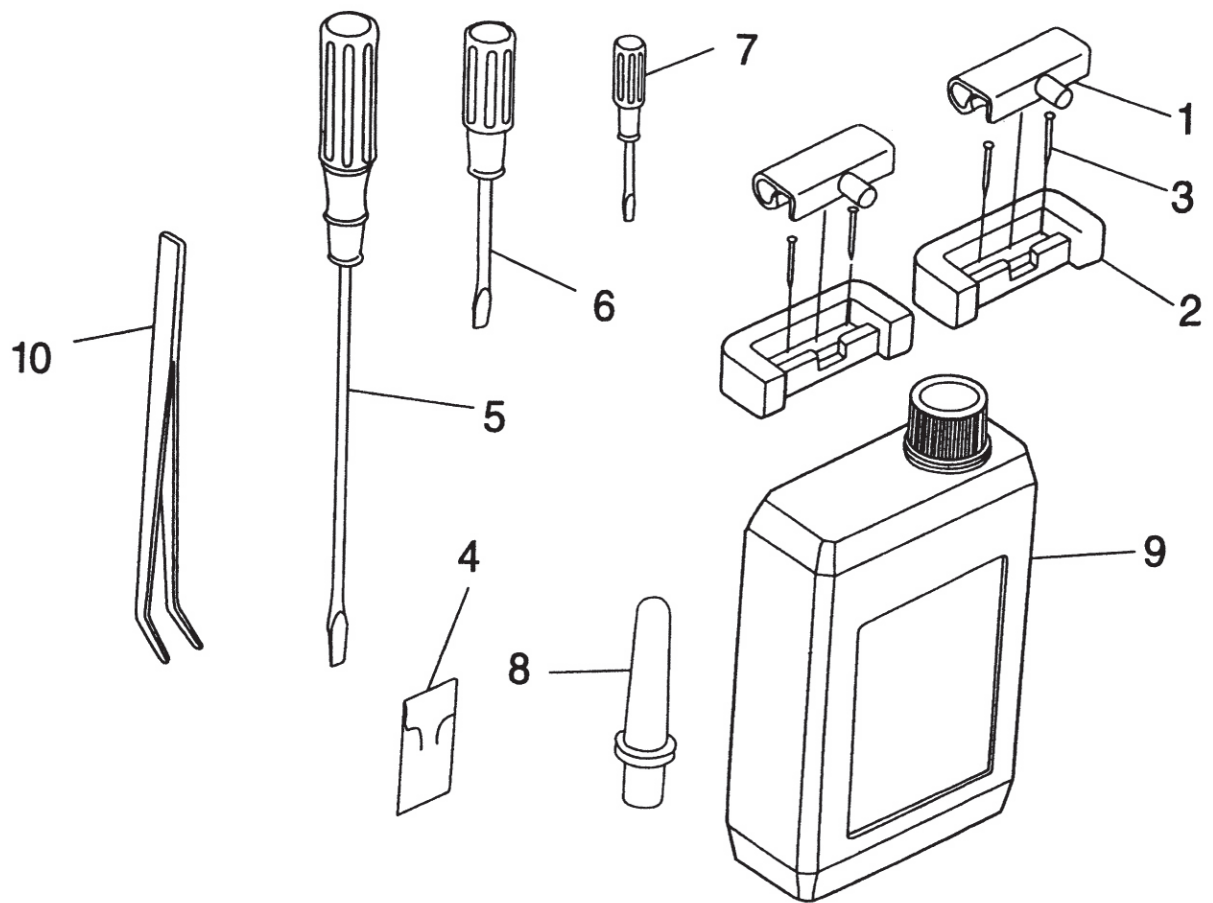
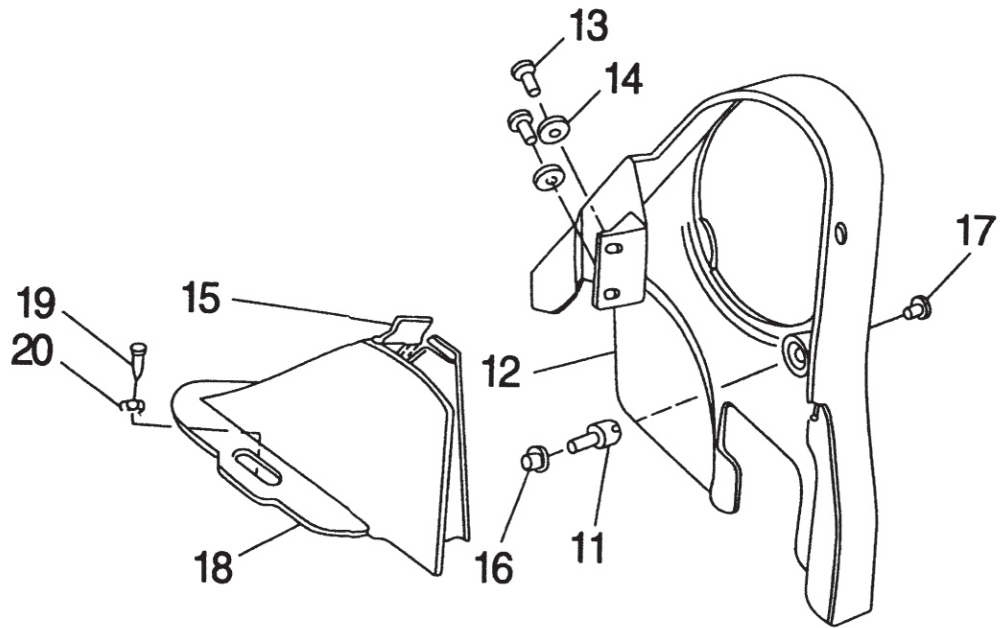
序号 Ref. No.	件号 Part No	名称	Description	数量 Amt. Req.
1	GR1899/21	油泵部件	Lubricating oil pump asm.	(1)
2	GR1549	油泵安装板	Oil pump installing base	1
3	GR1557	上轴供油管接头	Rubber joint	1
4	GR1559	下轴供油管接头	Rubber joint	1
5	GR1901	油泵垫圈	Collar	3
6	GS0109	油泵螺钉	Screw	3
7	GR1902	上轴供油管	Main shaft oil tube	1
8	GR1903	齿轮供油管橡皮接头	Oil sight window base	1
9	GR1904	齿轮供油管	Gear oil pipe	1
10	GR1566	齿轮供油管夹	Holder	2
11	GS81	齿轮供油管夹螺钉	Screw	2
12	GS3401-7	上轴回油管	Oil return tube asm	1
13	GR1566	回油管夹	Oil return tube holder	1
14	GS81	回油管夹螺钉	Screw	1
15	GR1567	回油除尘毡	Oil felt presser	1
16	GR1568	回油毡	Oil felt	1
17	GR1569	回油毡夹	Oil felt presser	1
18	GR1906	面部挡油板	Arm oil shield	1
19	GR1735	面部挡油板油线	Oil wick	1
20	GS069	面部挡油板上螺钉	Screw	1
21	GS010	面部挡油板下螺钉	Screw	1
22	GR1909	下轴供油管	Oil tube	1
23	GR1562	油窗O形圈	O-Rubber ring	1
24	GR1561	油窗	Oil singht window	1



9、油盘、膝抬压脚分组件

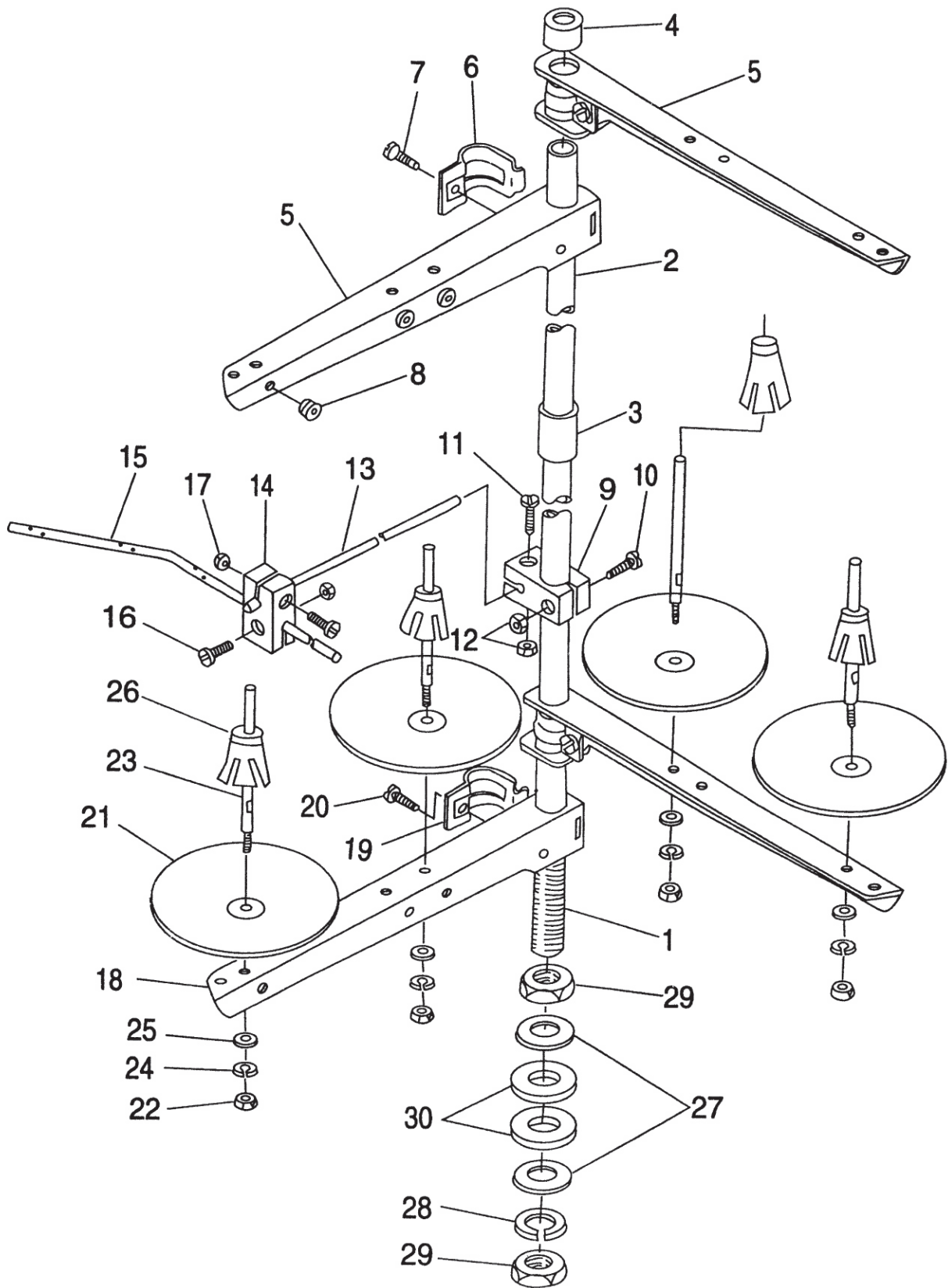
Oil reservoir & knee lifter components

序号 Ref. No.	件号 Part No	名称	Description	数量 Amt. Req.
1	GR1910/13	油盘部件	Oil reservoir asm.	(1)
2	GR1911	油盘	Oil reservoir	1
3	GR1576	油盘磁铁	Oil reservoir magnet	2
4	GR1912	油盘侧面垫	Gasket	1
5	GR1913	油盘端面垫	Gasket	2
6	GR1575	排油螺钉O形圈	Oil drain cap gasket	2
7	GS02	排油螺钉	Oil drain screw	1
8	GR1581	抬压脚顶销	Knee press lifter rod	1
9	GR1582	抬压脚双向曲柄	Lifting	1
10	GS056	双向曲柄螺钉	Positioning screw	1
11	GS057	双向曲柄限位螺钉	Positioning screw	1
12	GL21	双向曲柄限位螺母	Nut	1
13	GS058	双向曲柄调节螺钉	Positioning screw	1
14	GL21	双向曲柄调节螺母	Nut	1
15	GW261	双向曲柄扭簧	Spring	1
16	GR1583	抬压脚轴开口挡圈	Thrust ring	1
17	GZ283	抬压脚轴	Knee press rod	1
18	GR1584	抬压脚操纵杆节头	Bearing bracket	1
19	GS059	操纵杆节头螺钉	Clamp screw	2
20	GR1586	操纵杆	Knee lifter plate rod	1
21	GR1587	操纵板节头	Knee predd plate cover joint	1
22	GS08	操纵板节头螺钉	Screw	1
23	GR1588	操纵板	Knee press plate	1
24	GW262	操纵板簧	Knee press plate spring	1
25	GS060	操纵板螺钉	Screw	1
26	GKR13	操纵板软垫	Knee press plate cover	1
27	GR3408-7	小防震垫	Small rubber cushion	2
28	GR1578-7	大防震垫	Big rubber cushion	2



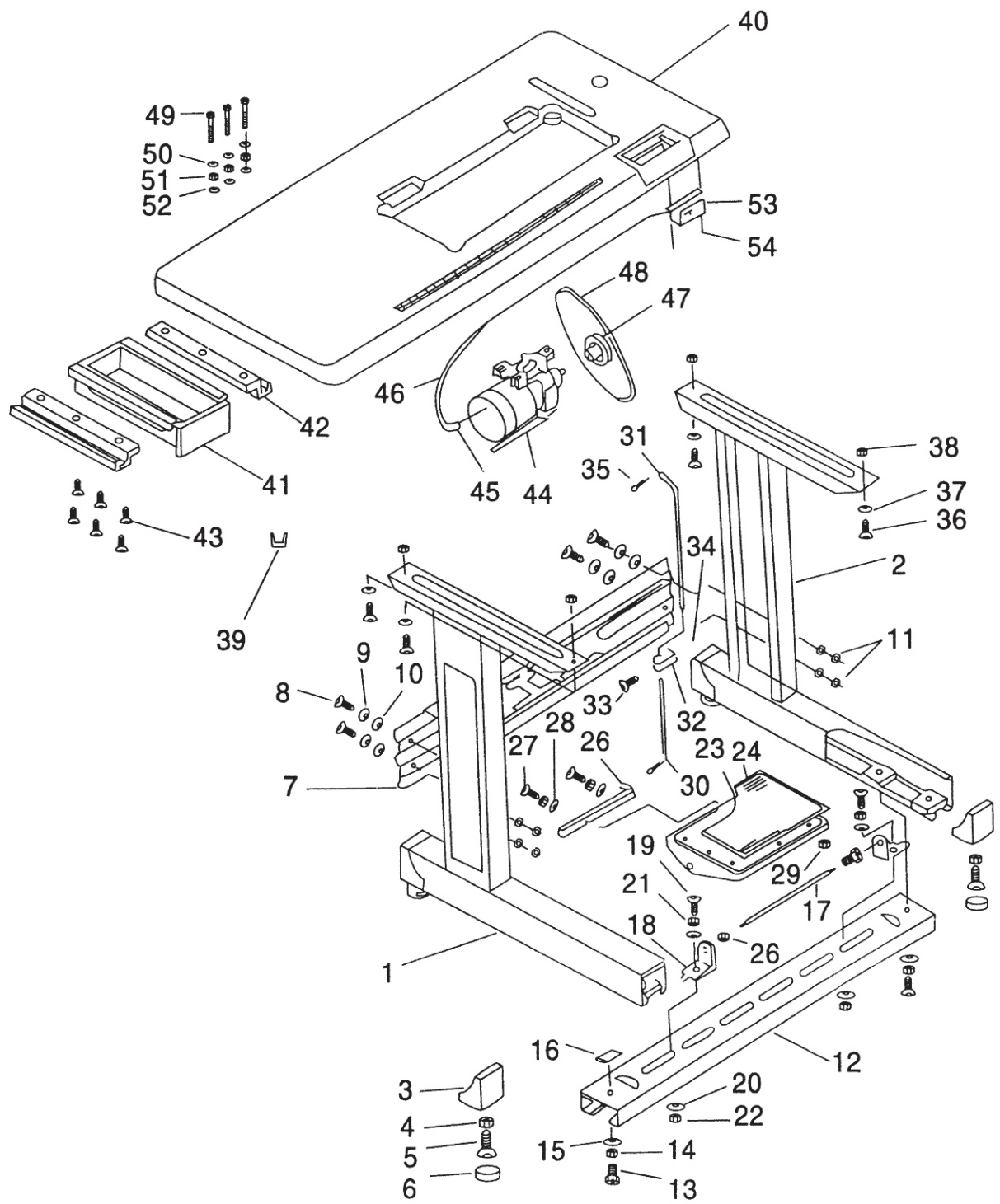
10、机头附件 Machine head accessories

序号 Ref. No.	件号 Part No	名称	Description	数量 Amt. Req.
1	GR1590/2	机头连接钩部件	Machine hinge plate asm.	2
2	GR1593	机头连接钩座	Machine hinge plate	2
3	GBX105	机头连接钩座钉	Nail	4
4	GV18	机针	Needle	1包
5	GR1601	螺丝刀(大)	Screw driver (L)	1
6	GR1602	螺丝刀(中)	Screw driver (M)	1
7	GR1603	螺丝刀(小)	Screw driver (S)	1
8	GBR148	机头支柱	Machine reat pin	1
9	GR1604/3	油箱部件	Lubricating unit case asm.	1
10	GR558/2	镊子	Tweezer	1
11	GS061	罩壳支柱	Belt cover support stud	1
12	GR1447	上轮前罩壳	Belt-cover A	1
13	GS062	罩壳螺钉	Screw	2
14	GR1599	罩壳螺钉垫圈	Washer	2
15	GR1448	后罩壳盖	Belt-cover B cover asm.	1
16	GL38	后罩支柱螺母	Nut	1
17	GS0574	前罩壳紧固螺钉	Screw	1
18	GR1449	上轮后罩壳	Belt-cover B	1
19	GBS120	传动带罩壳木螺钉	Driving belt cover wood screw	2
20	GBR147	罩壳木螺钉垫圈	Wood screw washer	2



11、四线团架分组件 Quadruple-thread spool stand asm.

序号 Ref. No.	件号 Part No	名称	Description	数量 Amt. Req.
1	GZ315	线架杆下节	Spool rest rod (upper)	1
2	GZ316	线架杆上节	Spool rest rod (lower)	1
3	GR1932	线架杆接头	Spool rested joint	1
4	GR1744	线架杆顶防护橡皮	Spool rest rod rubber cap	1
5	GR1825	线架过线杆	Thread guide asm.	2*
6	GR1745	线架过线夹	Thread guide asm joint	2*
7	GS558	线架过线夹螺钉	Screw	2*
8	GR1784	导线圈	Thread guide ring	6**
9	GR1933	线架导线杆夹	Thread guide arm holder	1
10	GS149	线架导线杆夹螺钉(A)	Screw	1
11	GS113	线架导线杆夹螺钉(B)	Scerw	1
12	GL104	线架导线杆夹螺母	Nut	2
13	GZ317	线架导线杆	Thread guide arm	1
14	GR1934	线架导线杆过线夹	Thread guide arm holder	1
15	GR1935	线架导线杆过线	Lower thread guide	1
16	GS231	线架导线杆过线夹螺钉	Screw	2
17	GL110	线架导线杆过线夹螺母	Nut	2
18	GR1825	线盘架	Spool rest arm.	2*
19	GR1745	线盘架夹	Thread guide arm joint	2*
20	GS558	线盘架夹螺钉	Screw	2*
21	GR1811	线盘	Spool rest	4***
22	GL23	线盘钉螺母	Nut	4***
23	GS067	线盘钉	Spool pin	4***
24	GR1625	线盘钉弹簧垫圈	Spring washer	4***
25	GR1626	线盘钉垫圈	Washer	4***
26	GR1215	线团防松垫	Spool cushion	4
27	GR1696	线架杆紧固螺母垫圈	Washer	2
28	GR1751	紧固螺母弹簧垫圈	Spring washer	1
29	GL158	线架杆紧固螺母	Nut	2
30	GR1753	线架杆防震橡皮圈	Rubber washer	2



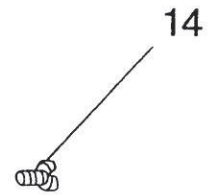
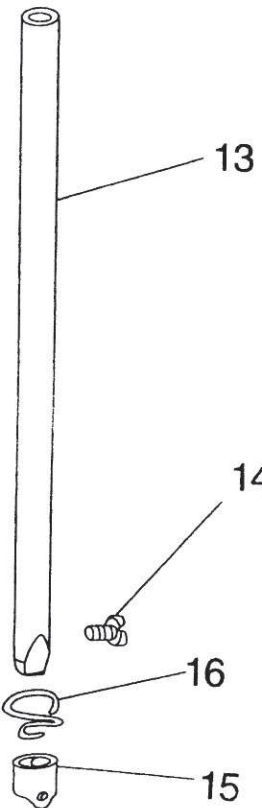
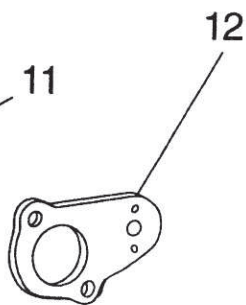
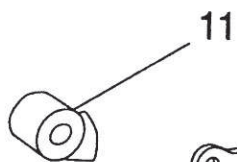
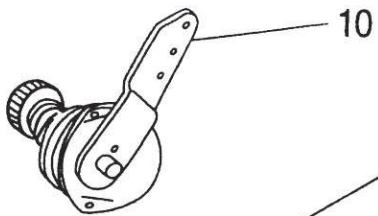
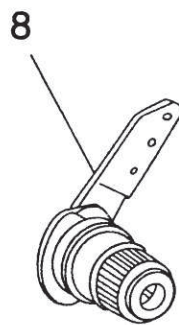
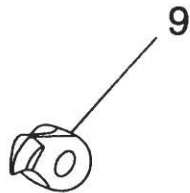
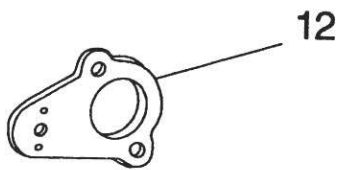
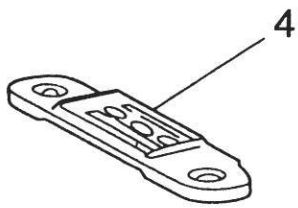
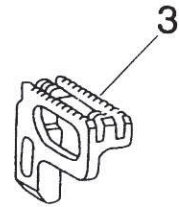
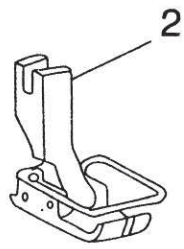
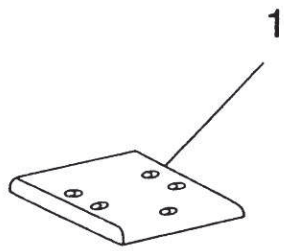
12、机架、台板、电器分组件 *

Machine stand, table & electric appliance components *

序号 Ref. No.	件号 Part No	名称	Description	数量 Amt. Req.
1	GKR302/5	边架部件(左)	Stand side asm.left	1
2	GKR305/5	边架部件(右)	Stand side asm.right	1
3	GKR318	边架座套	Rubber cushion	4
4	GKL104	调节座螺母	Nut	4
5	GKR196/2	调节座	Screw	4
6	GKR198	调节座胶垫	Space ring	4
7	GKR309	横档	Stand side support	1
8	GKS110	横档连接螺钉	Screw	4
9	GKR106	边架柱弹簧垫圈	Spring washer	4
10	GKR122	边架柱垫圈	Washer	8
11	GKL101	横档固定螺母	Nut	4
12	GKR310	踏板轴档	Treadle brace	1
13	GKS110	踏板轴档螺钉	Screw	2
14	GKR106	踏板轴档弹簧垫圈	Spring washer	2
15	GKR122	踏板板轴档垫圈	Washer	2
16	GKR311	踏板轴档定位螺母板	Treadle brace lock nut plate	2
17	GKX301	踏板轴	Treadle shaft	1
18	GKR317	踏板轴座	Treadle bracket	2
19	GKS110	踏板轴座螺钉	Screw	2
20	GKR122	踏板轴座垫圈	Washer	4
21	GKR106	踏板轴座弹簧垫圈	Spring washer	2
22	GKL101	踏板轴座螺母	Nut	2
23	GKR312	踏板	Treadle	1
24	GKR313	踏板垫	Gasket	1
25	GKR314	踏板衬套	Collar	2
26	GKR315	踏板杠杆	Treadle pitman	1
27	GKS102	踏板杠杆螺钉	Screw	2
28	GKR112	踏板杠杆垫圈	Washer	4
29	GKL102	踏板杠杆螺母	Nut	2
30	GKR116	下拉杆	Pitman rod, lower	1
31	GKR118	上拉杆	Pitman rod, upper	1
32	GKR183	拉杆接头	Joint	1
33	GKS110	拉杆接头螺钉	Joint screw	1
34	GKL101	拉杆接头螺母	Joint nut	1
35	GKX101	上拉杆开口销	Pitman rod split pin (upper)	1
36	GBS114	台板木螺钉	Table wood screw	4
37	GKR112	台板木螺钉垫圈	Table wood screw washer	4
38	GKR186	台板垫圈	Table washer	4
39	GBR156	抽斗限位	Drawer limit plate	1
40	GBR158/2	台板组件	Table	1
41	GBR203/2	抽斗部件	Drawer	1
42	GBR206	抽斗导轨	Drawer rail	2
43	GBS121	抽斗导轨木螺钉	Drawer rail wood screw	6
44	GD234	GFC4024型电机	Model GFC4024 motor	1
45	GD219	电机接线插头	Motor connecting wire plug	1
46	GD108	电机接线	Motor wire	1
47	GD023/3	电动机带轮	Motor pulley	1
48	GE122	机头传动带	Machine driving belt	1
49	GKS122	电机台板连接螺钉	Motor & table connecting screw	3
50	GKR209	电机台板连接垫圈	Motor & table connecting washer	3
51	GKR106	电机台板连接弹簧垫圈	Motor & table connecting spring washer	3
52	GKL101	电机台板连接螺母	Motor & table connecting nut	3
53	GD227	电源开关	Power source switch	1
54	GBS104	电源开关木螺钉	Power source switch wood screw	2

*本分组件需另行订购

* Note that parts above mentioned shall be purchased in a separate order


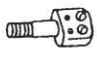



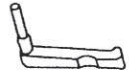



13、高速单针链缝机





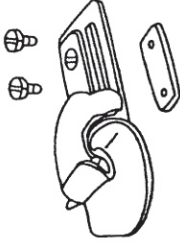
Model one-needle high speed chainstitcher

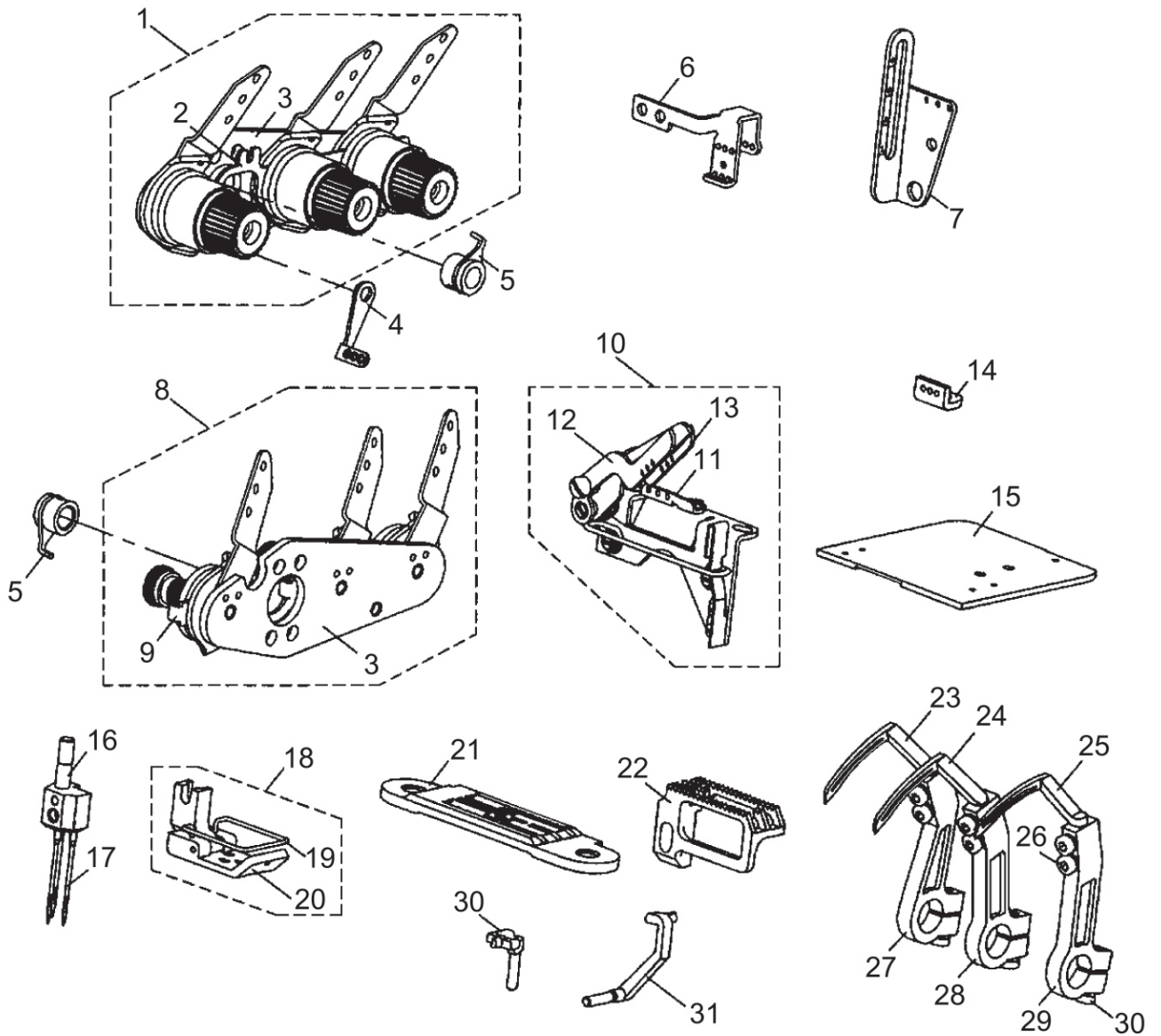
序 号	件 号	名 称	Description	数 量
Ref. No.	Part No			Amt. Req.
1	GM274	附件安装板	Attachment installing plate	1
2	GM275/7	压脚部件	Presser foot asm.	1
3	GM276	送料牙	Feed dog	1
4	GM277	针 板	Throat plate	1
5	GR1998	弯针曲柄挡圈	Throat collar	1
6	GR1999	摆动护针杆	Driving needle guard	1
7	GR2000	固定护针杆	Counter needle guard	1
8	GR2001/9	面线夹线器部件	Needle thread tension asm.	1
9	GR2002	面线松线爪	Tension release latch	1
10	GR2003/11	底线夹线器部件	Lower thread tension asm.	1
11	GR2005	底线夹线爪	Looper thread release latch	1
12	GR2004	夹线器安装板	Tension installing plate	2
13	GZ318	针 杆	Needle bar	1
14	GS071	支针螺钉	Screw	1
15	GR1481	针杆线钩	Needle bar thread guide	1
16	GR1480	针杆下衬套线钩	Thread guide	1

双针链缝机（横列）附件一览表 List of accessories for double-needle chainstitcher

名称 Name		针板 Throat plate	针夹 Needle clamp	压脚 Presserfoot asm	送料牙 Feed dog	摆动护针杆 Driving needle guard	右固定护针杆 Counter needle guard right	左固定护针杆 Counter needle guard left
规格 Specifications								
*1	1/8"(3.2mm)	GM252	GR1937	GM253/5	GM254			
2	5/32"(4.0mm)	GM255	GR1944	GM256/5		GR1936		
3	3/16"(4.8mm)	GM251	GR1929	GM249/5	GM250			
4	7/32"(5.6mm)	GM257	GR1951	GM258/5				
5	1/4"(6.4mm)	GM248	GR1826	GM246/5	GM247		GR1860	GR1859
6	5/16"(7.9mm)	GM259	GR1958	GM260/5		GR1857		
7	3/8"(9.5mm)	GM263	GR1966	GM264/5		GR1960		
8	1/2"(12.7mm)	GM266	GR1973	GM267/5	GM268			
双针纵列链缝机 Vertical Double-needle chainstitcher								
9	0	GM272	GR1989	GM271	GM273	GR1992		GR1993

双针链缝机 (横列) 附件一览表 List of accessories for double-needle chainstitcher

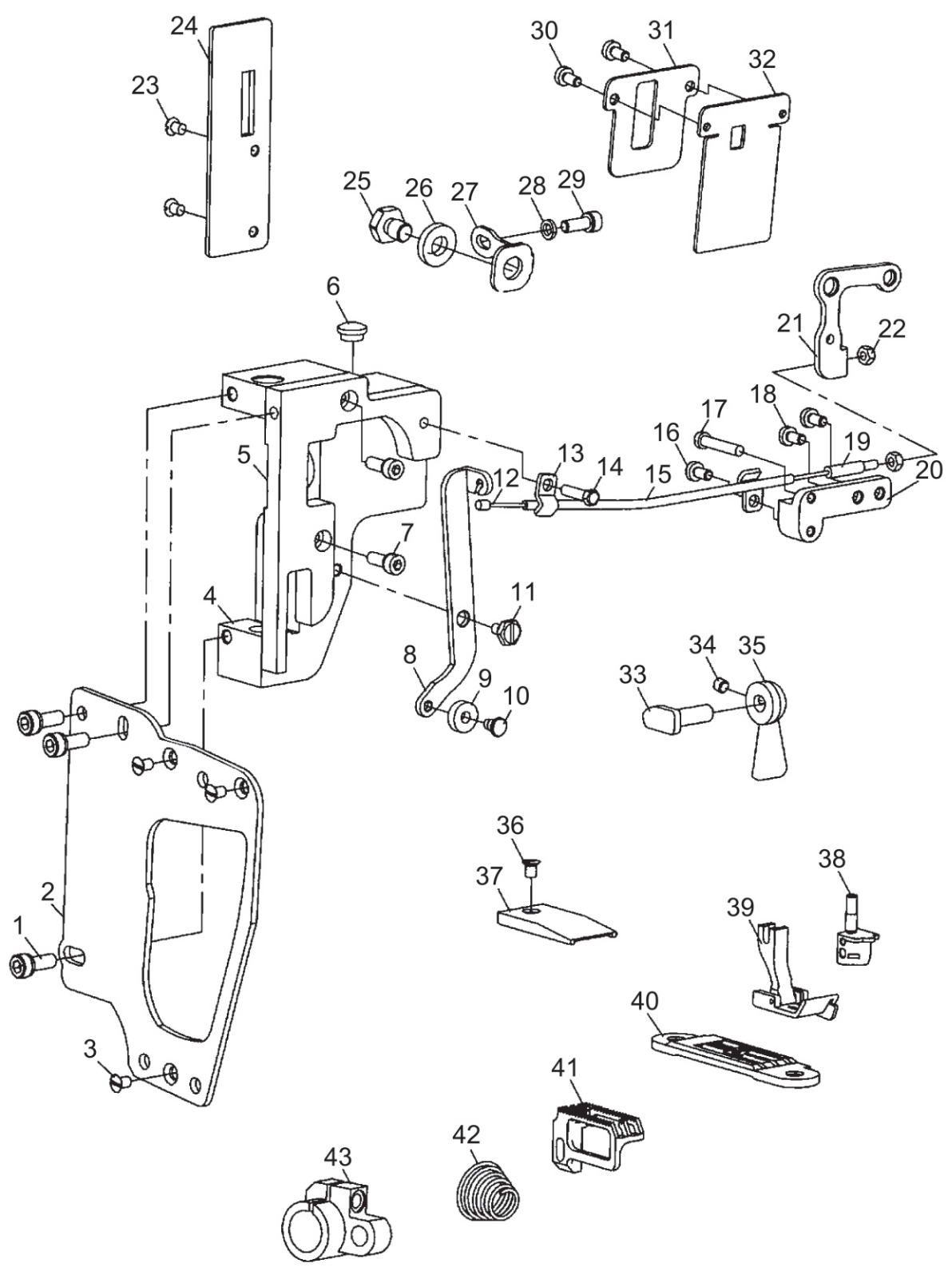
名称 Name		右弯针 Right Looper	左弯针 Left Looper	推板 Bed slide	凸轮盖 Cam Cover	卷边器 Folder				
规格 Specifications										
							*1	1/8"(3.2mm)	GR1939/5	
							2	5/32"(4.0mm)	GR1946/5	
							3	3/16"(4.8mm)	GR1924/5	
							4	7/32"(5.6mm)	GR1953/5	
							5	1/4"(6.4mm)	GR1916/5	
							6	5/16"(7.9mm)	GM262	GR1961/5
							7	3/8"(9.5mm)		GR1968/5
							8	1/2"(12.7mm)	GM270	
双针纵列链缝机 Vertical Double-needle chainstitcher										
9	0	GN170	GN169	GM245	GM243					



14、高速三针链缝机

Three needle high speed chainstitch

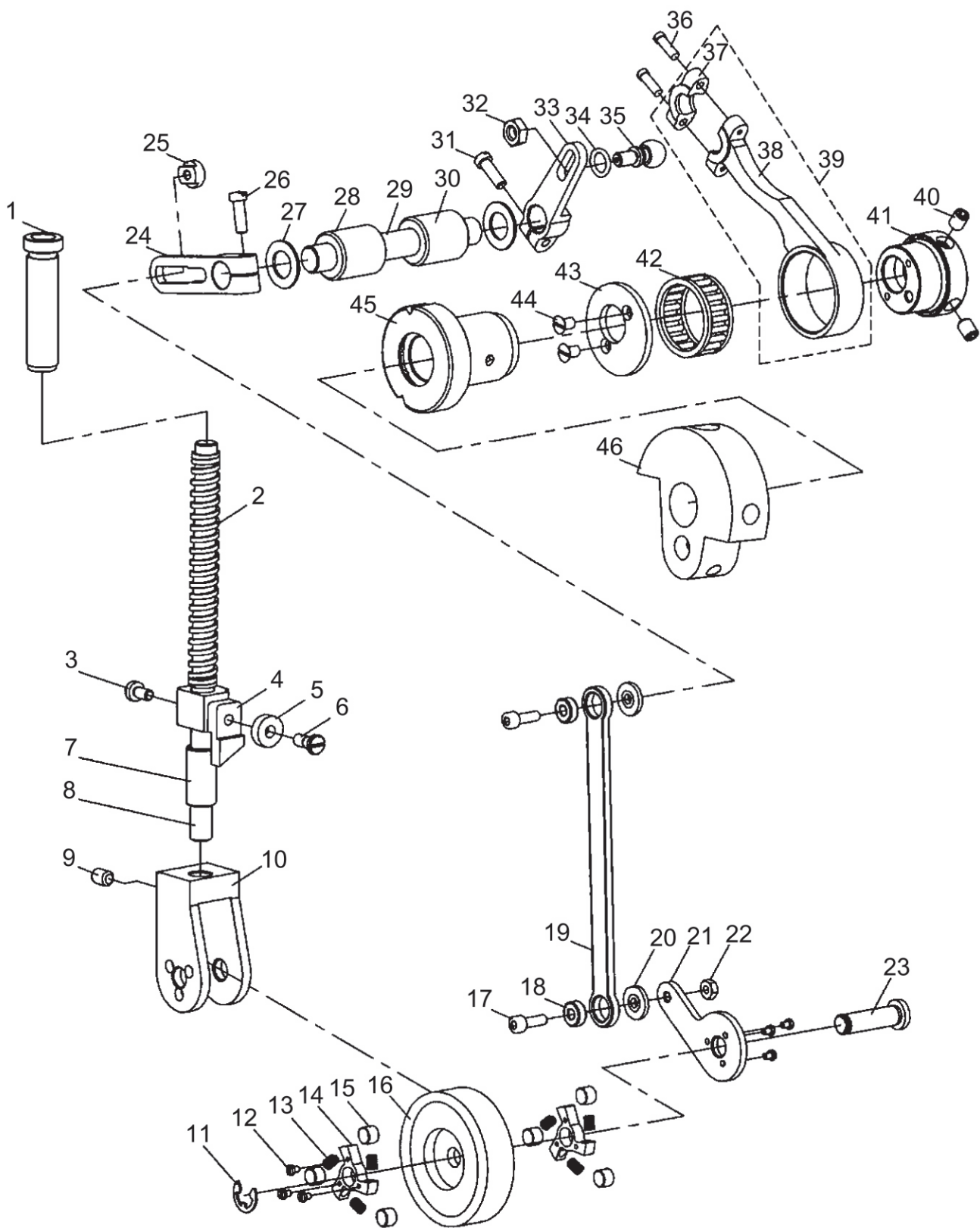
序号 Ref. No.	件号 Part No	名称	Description	数量 Amt. Req.
1		面线夹线器部件	Looper thread asm.	1
2	GR2113	面线松线推板	Release slide plate	1
3	GR2112	三针夹线器安装板	Looper thread releage latch	2
4	GR2120	三针导线勾	Frame thread guide	1
5	GR2109	三针松线勾组件	Tension relead latch	1
6	GR2103	挑线杆	Thread take-up.	1
7	GR2104	中间导线勾	Frame thread eyelet	1
8		底线夹线器部件	Lower thread tension asm.	1
9	GR2114	底线松线推板	Lower thread release slide plate	1
10		三针打线凸轮组件	Looper thread guide asm.	1
11	GR2105	底线三线导线勾	Cast-off plate	1
12	GR2106	左凸轮导线勾	Looper thread guide left	1
13	GR2107	右凸轮导线勾	Looper thread guide right	1
14	GR2108	底线导线勾	Thread guide	1
15	GM282	三线凸轮盖	Cam cover	1
16	GR2102	针夹	Needle clamp	1
17		机针 (14#~18#)	Needle	3
18		三针压脚组件	Presser foot asm.	1
19	GR2101	保针架	Finger guard	1
20	GR2100	压脚板	Presser foot	1
21	GM280	针板	Throat plante	1
22	GR281	送料牙	Feed dog	1
23	GN170	右弯针	Right looper	1
24	GN171	中弯针	Middle looper	1
25	GN169	左弯针	Left looper	1
26	GS788	三针弯针螺钉	Screw	6
27	GR2119	右弯针曲柄	Looper holder asm.(right)	1
28	GR2117	中弯针曲柄	Looper holder asm.(middle)	1
29	GR2117	左弯针曲柄	Looper holder asm.(left)	1
30	GS0140	三针弯针曲柄螺钉	Screw	3
31	GR2116	摆动护针	Driving needle guard	1
32	GR8744	左固定护针	Counter needle guard	1



15、高速三针厚料链缝机(带拖布轮)分组件(1)

Three needle high speed heavy duty (with puller) component

序号 Ref. No.	件号 Part No	名称	Description	数量 Amt. Req.
1	GS2080	拖轮箱螺钉	Screw	3
2	GR8711	拖轮箱面板	Puller plate	1
3	GS044	拖轮箱面板螺钉	Screw	3
4	GR8709	拖轮箱	Puller box	1
5	GR8715	拖轮箱支座	Puller box support	1
6	GR1462	拖轮箱孔塞	Rubber cap	1
7	GS2082	拖轮箱支座螺钉	Screw	2
8	GR8717	提升杠杆	Lever	1
9	GR8714	提升滚动轴承	Ball bearing redial	1
10	GR8719	提升滚柱螺钉	Screw	1
11	GR8718	提升杠杆螺轴	Shoulder screw	1
12	GR8733	提升钢丝绳	Wire	1
13	GR8736	拉索夹	Wire holder	2
14	GS2085	前拉索夹螺钉	Screw	1
15	GR8735	提升钢丝软管	Soft tube	1
16	GS01	拉索夹螺钉	Screw	2
17	GS0142	弹簧长螺钉	Screw	1
18	GS81	线夹支座螺钉	Screw	2
19	GR8734	提升钢丝调节螺钉	Screw	1
20	GR8725	线夹支座	Thread tension support	1
21	GR8737	抬压脚后杠杆	Lifting lever link rear	1
22	GL311	拉索螺母	Nut	2
23	GS044	拖轮箱方盖螺钉	Screw	2
24	GR8710	拖轮箱方盖	Puller cover	1
25	GS2084	拖轮箱支板螺栓	Bolt	1
26	GR8738	拖轮箱支板螺栓垫圈	Washer	1
27	GR8731	拖轮箱支板	Puller support plate	1
28	GR3371	支板螺钉弹簧垫圈	Washer spring	1
29	GS2082	拖轮箱支板螺钉	Screw	1
30	GS81	挡油罩螺钉	Screw	2
31	GR8706	挡油罩	Oil-protection cover	1
32	GR8745	挡油罩垫	Oil-protection gaskets	1
33	GR8744	扳手凸轮组件	Lifter shaft asm.	1
34	GS038	拖轮扳手螺钉	Screw	1
35	GR8746	拖轮扳手	Lifter	1
36	GS044	拖布轮垫板螺钉	Screw	1
37	GR8730	拖轮垫板	Puller base plate	1
38	GM1107	针夹	Needle clamp	1
39	GR8743	压脚组件	Presser foot asm.	1
40	GM1106	针板	Throat plate	1
41	GM281	送料牙	Feed dog	1
42	GW1041	面线夹线簧	Tension spring	3
43	GH337	抬牙后曲柄	Feed driving shaft crank rear	1



16、高速三针厚料链缝机(带拖布轮)分组件(2)

Three needle high speed heavy duty (with puller) component(2)

序号 Ref. No.	件号 Part No	名称	Description	数量 Amt. Req.
1	GR8712	拖轮调压螺母	Presser spring regulateor	1
2	GW1050	拖轮压簧	Presser spring	1
3	GS551-7	拖轮压杆滑块螺钉	Screw	1
4	GR8713	拖轮压杆滑块	Presser bar guide bracket	1
5	GR8714	滑块滚动轴承	Ball bearing radial	1
6	GS2081	滑块滚柱螺钉	Screw	1
7	GO1102	拖轮箱轴套	Shaft tube(lower)	1
8	GZ951	拖轮压杆	Presser bar	1
9	GS756	拖轮架螺钉	Screw	1
10	GR8716	拖轮架	Puller bracket	1
11	GR8724	拖轮轴卡簧	Open ring	1
12	GS970	锁紧片螺钉	Screw	6
13	GW650	转动锁紧片弹簧	Sring	6
14	GR4382	转动锁紧片	Wheel	2
15	GR4383	转动锁紧滚柱	Rolling axis	6
16	GR8726	拖布轮组件	Puller asm.	1
17	GS2083	长连杆螺钉	Screw	2
18	GR8721	长连杆轴承	Ball bearing radial	2
19	GH1082	长连杆	Connecting rod	1
20	GR8722	长连杆垫圈	Washer	2
21	GR8720	传动板	Wheel connecting rod	1
22	GL753	长连杆杆螺钉螺母	Nut	1
23	GR8723	拖轮轴	Puller shaft	1
24	GH1081	摆动曲柄	Adjusting rod(left)	1
25	GL752	摆动曲柄螺母	Nut	1
26	GS713	摆动曲柄螺钉	Screw	1
27	GR8708	摆动曲柄轴套垫圈	Washer	2
28	GO1101	摆动曲柄前轴套	Shaft tube(left)	1
29	GZ950	摆动曲柄轴	Shaft	1
30	GO1101	摆动曲柄后轴套	Shaft tube(right)	1
31	GS019	驱动摆动曲柄螺钉	Screw	1
32	GL750	球连接螺母	Nut	1
33	GH1080	驱动摆动曲柄	Ad justing rod(right)	1
34	GR8707	球连接垫圈	Washer	1
35	GR8705	驱动连杆球连接	Ball scwer	1
36	GS0140	驱动连杆螺钉	Screw	2
37		驱动连杆盖	Connecting rod cover	1
38		驱动连杆	Connecting rod	1
39	GR8704	驱动连杆组件	Connecting rod asm.	1
40	GS756	驱动偏心轮螺钉	Screw	2
41	GT810	驱动偏心轮	Eccentric wheel	1
42	GR8702	滚动轴承	Needle driving lever bearing	1
43	GR8703	驱动偏心轮盖板	Eccentric wheel thrust washer	1
44	GS0115	驱动偏心轮盖板螺钉	Screw	2
45	GO1100	上轴前轴套部件	Main shaft bushing front	1
46	GR2130	针杆曲柄	Counter weingt asm.	1